

## BIONIQ EVO RECESSED

### A350187-

base number    Color Temperature    Finish Options    Finish Options    Lens Options    Beam Angle Options

- To build a product code in our configurator select the specify button on the base model # product page
- To build a manual product code on this datasheet choose from the options listed below in blue font and add the suffix to the base model #

#### GENERAL

Series: Bioniq Evo  
 Partner: Prolicht  
 Division: Architectural  
 Installation: Recessed  
 Product Type: Downlight  
 Mounting Location: Ceiling  
 Light Distribution: Adjustable / Direct

#### PHYSICAL

Aperture Sizes - Downlights: 2"  
 Shape: Round  
 Diameter (mm): 62  
 Diameter (in): 2 3/8  
 Height (mm): 90  
 Depth (mm): 100  
 Height (in): 3 1/2  
 Depth (in): 3 15/16  
 Ceiling Thickness (mm): 2 - 15  
 Ceiling Thickness (in): 1/16 - 9/16  
 Weight (kg): 0.4  
 Fixture Finish: [BLK](#) / [WHI](#) / [ARB](#) / [CHR](#)  
 Holder Finish: WHI / BLK  
 Fixture Material: Extruded Aluminum  
 Cut-out Measurements: Ø 55mm/2 3/16"

#### ELECTRICAL

Lamp Type: LED (Zhaga Standard)  
 Input Wattage (W): 9.2  
 Total Output Wattage (W): 8.2  
 Dimming: Non-dimming / DALI Dimming / MATTER Dimming  
 Driver Included: No  
 Driver Location: Remote  
 Driver Type: Constant Current - Universal  
 Driver Class: Class 2  
 Constant Current (mA): 250mA  
 Upon Request: 0-10V Dimming / Phase Dimming

#### LED

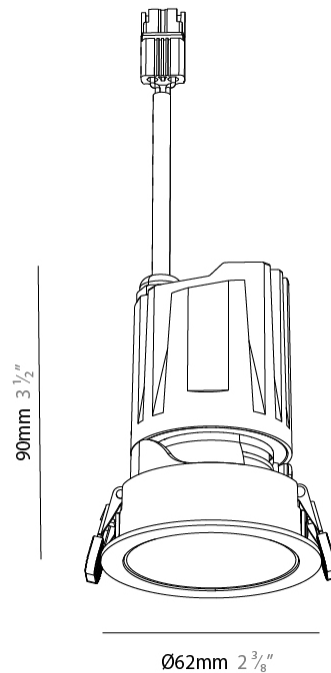
Color Temperature (°K): [2400](#) / [2700](#) / [3000](#) / [3500](#) / [4000](#)  
 Max. Delivered Lumen (lm): Max 919  
 Nominal Lumen (lm): 1456  
 CRI: >90 CRI  
 Efficiency (%): 81.9  
 Lamp Life (hrs): 50000

#### OPTICAL

Beam Angle: [24](#) / [32](#) / [46](#) / [56](#)  
 Adjustability: Rotational 350° / Tilt 30°

#### RATINGS AND CERTIFICATIONS

Certified By: Certified for North American Standards  
 IP rating: IP65  
 Glare Rating: ≤ 10



A350187-

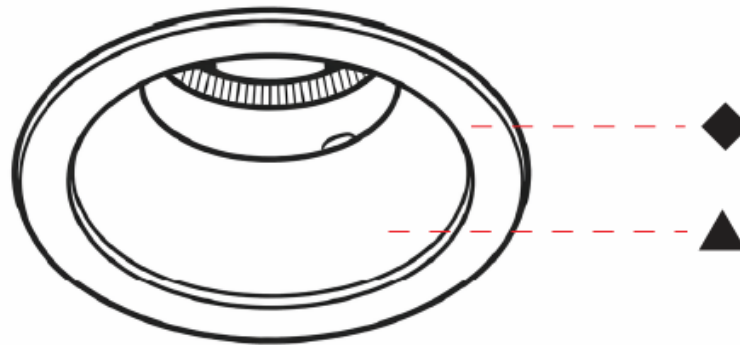
PROJECT

TYPE

SPECIFIER

QUANTITY

DATE



## BIONIQ EVO RECESSED

### A350190-

base number    Color    Finishes    Finishes    Lens  
 Temperature    (Diamond)    (Triangle)    Options

- To build a product code in our configurator select the specify button on the base model # product page
- To build a manual product code on this datasheet choose from the options listed below in blue font and add the suffix to the base model #

#### GENERAL

Series: Bioniq Evo  
 Partner: Prolicht  
 Division: Architectural  
 Installation: Recessed  
 Product Type: Downlight  
 Mounting Location: Ceiling  
 Light Distribution: Adjustable / Direct

#### PHYSICAL

Aperture Sizes - Downlights: 2"  
 Shape: Round  
 Diameter (mm): 62  
 Diameter (in): 2 3/8  
 Height (mm): 90  
 Depth (mm): 100  
 Height (in): 3 1/2  
 Depth (in): 3 15/16  
 Ceiling Thickness (mm): 2 - 15  
 Weight (kg): 0.4  
 Fixture Finish: SSR / BKV / CWI / CRY / HAB / UFT / ITA / RUA / FTG / MYG / LOD / PUS / FRO / FUP / KIA / POP / BLS / SPG / MEY / GOH / CHC / COM / ABZ / JAG / OBR / MOS / ROR  
 Fixture Material: Extruded Aluminum  
 Cut-out Measurements: Ø 55mm/2 3/16"

#### ELECTRICAL

Lamp Type: LED (Zhaga Standard)  
 Input Wattage (W): 8  
 Total Output Wattage (W): 7.3  
 Dimming: Non-dimming / DALI Dimming / MATTER Dimming  
 Driver Included: No  
 Driver Location: Remote  
 Driver Type: Constant Current - Universal  
 Driver Class: Class 2  
 Constant Current (MA): 250mA  
 Upon Request: 0-10V Dimming / Phase Dimming

#### LED

Color Temperature (°K): 2400 / 2700 / 3000 / 3500 / 4000  
 Max. Delivered Lumen (lm): Max 521  
 Nominal Lumen (lm): 920  
 Efficiency (%): 81.9%  
 Lamp Life (hrs): 50000

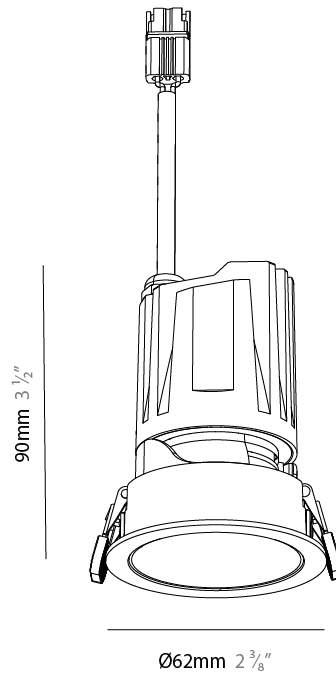
#### OPTICAL

Beam Angle: 10  
 Adjustability: Rotational 350° / Tilt 30°

#### RATINGS AND CERTIFICATIONS

Certified By: Certified for North American Standards  
 IP rating: IP65  
 Glare Rating: ≤ 10

PROJECT \_\_\_\_\_  
 TYPE \_\_\_\_\_  
 SPECIFIER \_\_\_\_\_  
 QUANTITY \_\_\_\_\_  
 DATE \_\_\_\_\_



A350190-

PROJECT

TYPE

SPECIFIER

QUANTITY

DATE



## BIONIQ EVO RECESSED

### A350191-

base number    Color    Finish    Finish    Lens  
 Temperature    Options    Options    Options

- To build a product code in our configurator select the specify button on the base model # product page
- To build a manual product code on this datasheet choose from the options listed below in blue font and add the suffix to the base model #

#### GENERAL

Series: Bioniq Evo  
 Partner: Prolicht  
 Division: Architectural  
 Installation: Recessed  
 Product Type: Downlight  
 Mounting Location: Ceiling  
 Light Distribution: Adjustable / Direct

#### PHYSICAL

Aperture Sizes - Downlights: 2"  
 Shape: Round  
 Diameter (mm): 62  
 Diameter (in): 2 3/8  
 Height (mm): 90  
 Depth (mm): 100  
 Height (in): 3 1/2  
 Depth (in): 3 15/16  
 Ceiling Thickness (mm): 2 - 15  
 Weight (kg): 0.4  
 Fixture Finish: BLK / WHI / ARB / CHR  
 Holder Finish: WHI / BLK  
 Fixture Material: Extruded Aluminum  
 Cut-out Measurements: Ø 55mm/2 3/16"

#### ELECTRICAL

Lamp Type: LED (Zhaga Standard)  
 Input Wattage (W): 8  
 Total Output Wattage (W): 7.3  
 Dimming: Non-dimming / DALI Dimming / MATTER Dimming  
 Driver Included: No  
 Driver Location: Remote  
 Driver Type: Constant Current - Universal  
 Driver Class: Class 2  
 Constant Current (MA): 250mA  
 Upon Request: 0-10V Dimming / Phase Dimming

#### LED

Color Temperature (\*K): 2400 / 2700 / 3000 / 3500 / 4000  
 Max. Delivered Lumen (lm): Max 521  
 Nominal Lumen (lm): 920  
 Efficiency (%): 81.9%  
 Lamp Life (hrs): 50000

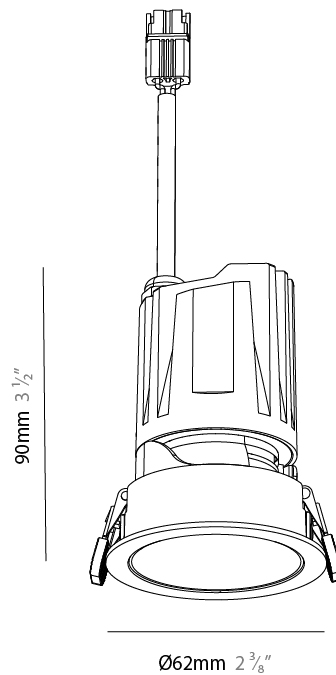
#### OPTICAL

Beam Angle: 10  
 Adjustability: Rotational 350° / Tilt 30°

#### RATINGS AND CERTIFICATIONS

Certified By: Certified for North American Standards  
 IP rating: IP65  
 Glare Rating: ≤ 10

PROJECT \_\_\_\_\_  
 TYPE \_\_\_\_\_  
 SPECIFIER \_\_\_\_\_  
 QUANTITY \_\_\_\_\_  
 DATE \_\_\_\_\_



A350191-

PROJECT

TYPE

SPECIFIER

QUANTITY

DATE



## BIONIQ EVO RECESSED

### A350192-

base number    Color Temperature    Finishes (Diamond)    Finishes (Triangle)    Lens Options    Beam Angle Options

- To build a product code in our configurator select the specify button on the base model # product page
- To build a manual product code on this datasheet choose from the options listed below in blue font and add the suffix to the base model #

#### GENERAL

Series: Bioniq Evo  
 Partner: Prolicht  
 Division: Architectural  
 Installation: Recessed  
 Product Type: Downlight  
 Mounting Location: Ceiling  
 Light Distribution: Adjustable / Direct

#### PHYSICAL

Aperture Sizes - Downlights: 3"  
 Shape: Round  
 Diameter (mm): 83  
 Diameter (in): 3 ¼  
 Height (mm): 100  
 Depth (mm): 105  
 Height (in): 4  
 Depth (in): 4 ⅛  
 Ceiling Thickness (mm): 2 - 20  
 Ceiling Thickness (in): 1/16 - 13/16  
 Weight (kg): 0.3  
 Fixture Finish: SSR / BKV / CWI / CRY / HAB / UFT / ITA / RUA / FTG / MYG / LOD / PUS / FRO / FUP / KIA / POP / BLS / SPG / MEY / GOH / CHC / COM / ABZ / JAG / OBR / MOS / ROR  
 Fixture Material: Extruded Aluminum  
 Cut-out Measurements: Ø. 75mm/2 15/16"

#### ELECTRICAL

Lamp Type: LED (Zhaga Standard)  
 Input Wattage (W): 12.8  
 Total Output Wattage (W): 11.8  
 Dimming: Non-dimming / DALI Dimming / MATTER Dimming  
 Driver Included: No  
 Driver Location: Remote  
 Driver Type: Constant Current - Universal  
 Driver Class: Class 2  
 Constant Current (MA): 350mA  
 Upon Request: 0-10V Dimming / Phase Dimming

#### LED

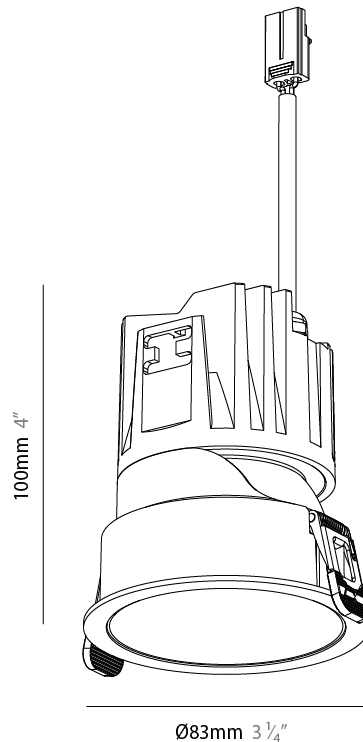
Color Temperature (°K): 2400 / 2700 / 3000 / 3500 / 4000  
 Max. Delivered Lumen (lm): Max 1502  
 Nominal Lumen (lm): 2006  
 CRI: >90 CRI  
 Efficiency (%): 81.9%  
 Lamp Life (hrs): 50000

#### OPTICAL

Beam Angle: 24 / 32 / 42  
 Adjustability: Rotational 350° / Tilt 30°

#### RATINGS AND CERTIFICATIONS

Certified By: Certified for North American Standards  
 IP rating: IP65  
 Glare Rating: ≤ 10



A350192-

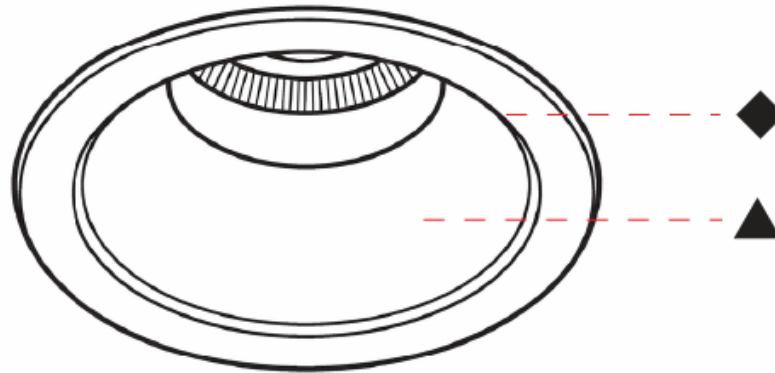
PROJECT

TYPE

SPECIFIER

QUANTITY

DATE



## BIONIQ EVO RECESSED

### A350193-

base number    Color    Finish    Finish    Lens    Beam Angle  
 Temperature    Options    Options    Options    Options

- To build a product code in our configurator select the specify button on the base model # product page
- To build a manual product code on this datasheet choose from the options listed below in blue font and add the suffix to the base model #

#### GENERAL

Series: Bioniq Evo  
 Partner: Prolicht  
 Division: Architectural  
 Installation: Recessed  
 Product Type: Downlight  
 Mounting Location: Ceiling  
 Light Distribution: Adjustable / Direct

#### PHYSICAL

Aperture Sizes - Downlights: 3"  
 Shape: Round  
 Diameter (mm): 83  
 Diameter (in): 3 ¼  
 Height (mm): 100  
 Depth (mm): 105  
 Height (in): 4  
 Depth (in): 4 ⅛  
 Ceiling Thickness (mm): 2 - 20  
 Ceiling Thickness (in): 1/16 - 13/16  
 Weight (kg): 0.3  
 Fixture Finish: [BLK](#) / [WHI](#) / [ARB](#) / [CHR](#)  
 Holder Finish: [WHI](#) / [BLK](#)  
 Fixture Material: Extruded Aluminum  
 Cut-out Measurements: Ø 75mm/2 15/16"

#### ELECTRICAL

Lamp Type: LED (Zhaga Standard)  
 Input Wattage (W): 12.8  
 Total Output Wattage (W): 11.8  
 Dimming: Non-dimming / DALI Dimming / MATTER Dimming  
 Driver Included: No  
 Driver Location: Remote  
 Driver Type: Constant Current - Universal  
 Driver Class: Class 2  
 Constant Current (MA): 350mA  
 Upon Request: 0-10V Dimming / Phase Dimming

#### LED

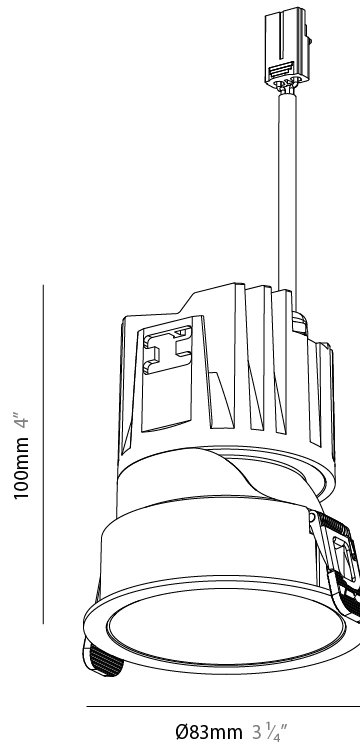
Color Temperature (°K): [2400](#) / [2700](#) / [3000](#) / [3500](#) / [4000](#)  
 Max. Delivered Lumen (lm): Max 1502  
 Nominal Lumen (lm): 2006  
 CRI: >90 CRI  
 Efficiency (%): 81.9%  
 Lamp Life (hrs): 50000

#### OPTICAL

Beam Angle: [24](#) / [32](#) / [42](#)  
 Adjustability: Rotational 350° / Tilt 30°

#### RATINGS AND CERTIFICATIONS

Certified By: Certified for North American Standards  
 IP rating: IP65  
 Glare Rating: ≤ 10



A350193-

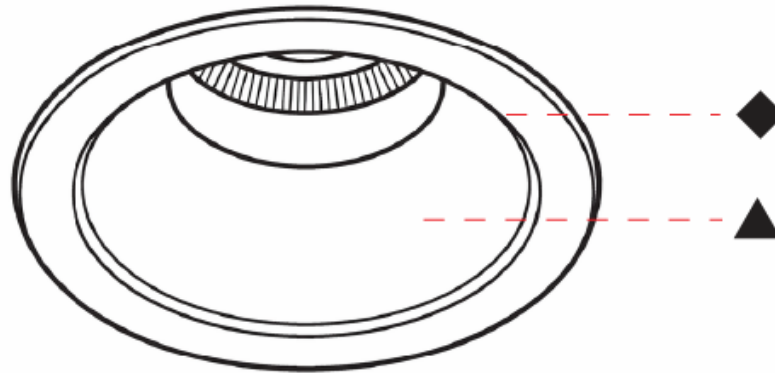
PROJECT

TYPE

SPECIFIER

QUANTITY

DATE



## BIONIQ EVO RECESSED

### A350194-

base number    Color    Finishes    Finishes    Lens  
 Temperature    (Diamond)    (Triangle)    Options

- To build a product code in our configurator select the specify button on the base model # product page
- To build a manual product code on this datasheet choose from the options listed below in blue font and add the suffix to the base model #

#### GENERAL

Series: Bioniq Evo  
 Partner: Prolicht  
 Division: Architectural  
 Installation: Recessed  
 Product Type: Downlight  
 Mounting Location: Ceiling  
 Light Distribution: Adjustable / Direct

#### PHYSICAL

Aperture Sizes - Downlights: 3"  
 Shape: Round  
 Diameter (mm): 83  
 Diameter (in): 3 1/4  
 Height (mm): 100  
 Depth (mm): 105  
 Height (in): 4  
 Depth (in): 4 1/8  
 Ceiling Thickness (mm): 2 - 20  
 Ceiling Thickness (in): 1/16 - 13/16  
 Weight (kg): 0.3  
 Fixture Finish: SSR / BKV / CWI / CRY / HAB / UFT / ITA / RUA / FTG / MYG / LOD / PUS / FRO / FUP / KIA / POP / BLS / SPG / MEY / GOH / CHC / COM / ABZ / JAG / OBR / MOS / ROR  
 Fixture Material: Extruded Aluminum  
 Cut-out Measurements: Ø 75mm/2 15/16"

#### ELECTRICAL

Lamp Type: LED (Zhaga Standard)  
 Input Wattage (W): 13  
 Total Output Wattage (W): 11.8  
 Dimming: Non-dimming / DALI Dimming / MATTER Dimming  
 Driver Included: No  
 Driver Location: Remote  
 Driver Type: Constant Current - Universal  
 Driver Class: Class 2  
 Constant Current (MA): 250mA  
 Upon Request: 0-10V Dimming / Phase Dimming

#### LED

Color Temperature (°K): 2400 / 2700 / 3000 / 3500 / 4000  
 Max. Delivered Lumen (lm): Max 698  
 Nominal Lumen (lm): Max 1231  
 CRI: >90 CRI  
 Efficiency (%): 81.9%  
 Lamp Life (hrs): 50000

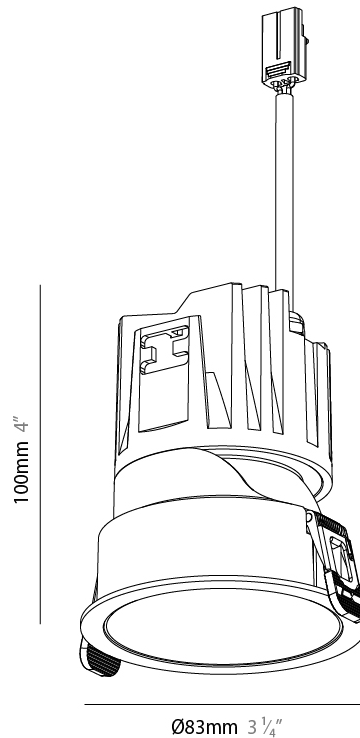
#### OPTICAL

Beam Angle: 10  
 Adjustability: Rotational 350° / Tilt 30°

#### RATINGS AND CERTIFICATIONS

Certified By: Certified for North American Standards  
 IP rating: IP65  
 Glare Rating: ≤ 10

|           |       |
|-----------|-------|
| PROJECT   | _____ |
| TYPE      | _____ |
| SPECIFIER | _____ |
| QUANTITY  | _____ |
| DATE      | _____ |



A350194-

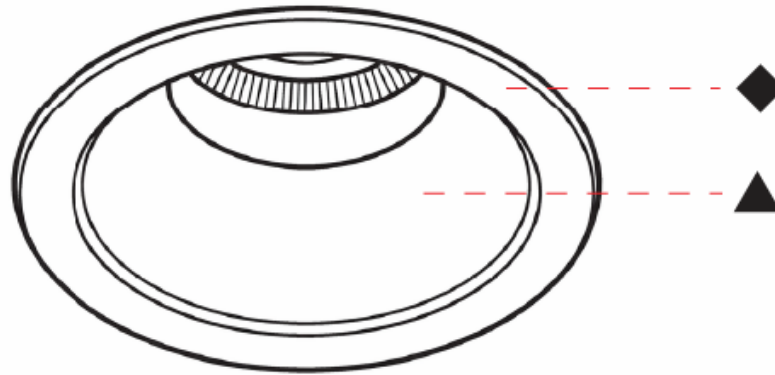
PROJECT

TYPE

SPECIFIER

QUANTITY

DATE



## BIONIQ EVO RECESSED

### A350195-

base number    Color    Finish    Finish    Lens  
 Temperature    Options    Options    Options

- To build a product code in our configurator select the specify button on the base model # product page
- To build a manual product code on this datasheet choose from the options listed below in blue font and add the suffix to the base model #

#### GENERAL

Series: Bioniq Evo  
 Partner: Prolicht  
 Division: Architectural  
 Installation: Recessed  
 Product Type: Downlight  
 Mounting Location: Ceiling  
 Light Distribution: Adjustable / Direct

#### PHYSICAL

Aperture Sizes - Downlights: 3"  
 Shape: Round  
 Diameter (mm): 83  
 Diameter (in): 3 1/4  
 Height (mm): 100  
 Depth (mm): 105  
 Height (in): 4  
 Depth (in): 4 1/8  
 Ceiling Thickness (mm): 2 - 20  
 Ceiling Thickness (in): 1/16 - 13/16  
 Weight (kg): 0.3  
 Fixture Finish: [BLK](#) / [WHI](#) / [ARB](#) / [CHR](#)  
 Holder Finish: [WHI](#) / [BLK](#)  
 Fixture Material: Extruded Aluminum  
 Cut-out Measurements: Ø 75mm/2 15/16"

#### ELECTRICAL

Lamp Type: LED (Zhaga Standard)  
 Input Wattage (W): 13  
 Total Output Wattage (W): 11.8  
 Dimming: Non-dimming / DALI Dimming / MATTER Dimming  
 Driver Included: No  
 Driver Location: Remote  
 Driver Type: Constant Current - Universal  
 Driver Class: Class 2  
 Constant Current (MA): 250mA  
 Upon Request: 0-10V Dimming / Phase Dimming

#### LED

Color Temperature (°K): [2400](#) / [2700](#) / [3000](#) / [3500](#) / [4000](#)  
 Max. Delivered Lumen (lm): Max 698  
 Nominal Lumen (lm): Max 1231  
 CRI: >90 CRI  
 Efficiency (%): 81.9%  
 Lamp Life (hrs): 50000

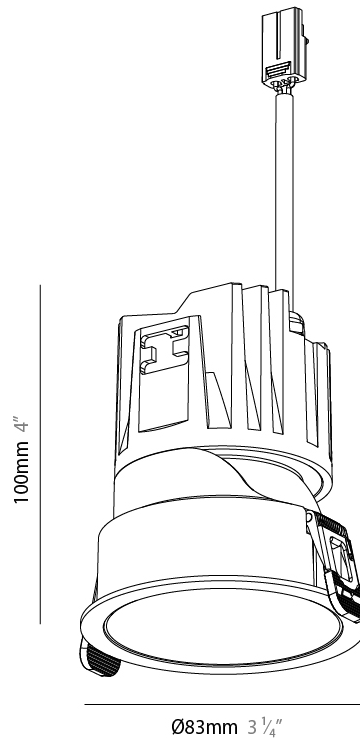
#### OPTICAL

Beam Angle: 10  
 Adjustability: Rotational 350° / Tilt 30°

#### RATINGS AND CERTIFICATIONS

Certified By: Certified for North American Standards  
 IP rating: IP65  
 Glare Rating: ≤ 10

PROJECT \_\_\_\_\_  
 TYPE \_\_\_\_\_  
 SPECIFIER \_\_\_\_\_  
 QUANTITY \_\_\_\_\_  
 DATE \_\_\_\_\_



A350195-

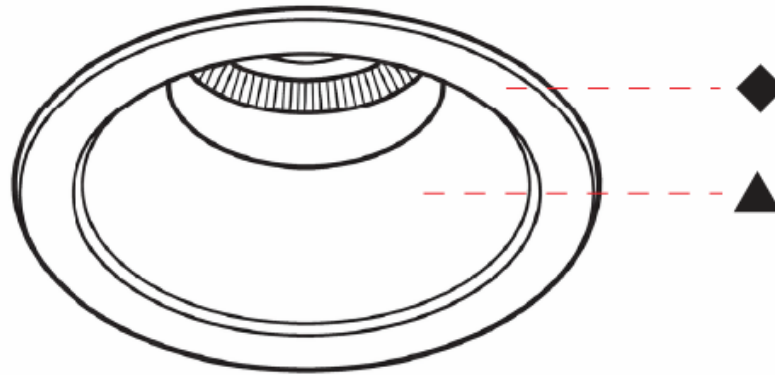
PROJECT

TYPE

SPECIFIER

QUANTITY

DATE



## BIONIQ EVO RECESSED

### A350196-

base number      Finishes (Diamond)      Finishes (Triangle)      Lens Options      Beam Angle Options

- To build a product code in our configurator select the specify button on the base model # product page
- To build a manual product code on this datasheet choose from the options listed below in blue font and add the suffix to the base model #

#### GENERAL

Series: Bioniq Evo  
 Partner: Prolicht  
 Division: Architectural  
 Installation: Recessed  
 Product Type: Downlight  
 Mounting Location: Ceiling  
 Light Distribution: Adjustable / Direct

#### PHYSICAL

Aperture Sizes - Downlights: 3"  
 Shape: Round  
 Diameter (mm): 83  
 Diameter (in): 3 1/4  
 Height (mm): 100  
 Depth (mm): 105  
 Height (in): 4  
 Depth (in): 4 1/8  
 Ceiling Thickness (mm): 2 - 20  
 Ceiling Thickness (in): 1/16 - 13/16  
 Weight (kg): 0.3  
 Fixture Finish: SSR / BKV / CWI / CRY / HAB / UFT / ITA / RUA / FTG / MYG / LOD / PUS / FRO / FUP / KIA / POP / BLS / SPG / MEY / GOH / CHC / COM / ABZ / JAG / OBR / MOS / ROR  
 Fixture Material: Extruded Aluminum  
 Cut-out Measurements: Ø 75mm/2 15/16"

#### ELECTRICAL

Lamp Type: LED (Zhaga Standard)  
 Input Wattage (W): 12.3  
 Dimming: Non-dimming / DALI Dimming / MATTER Dimming  
 Driver Included: No  
 Driver Location: Remote  
 Driver Type: Constant Current - Universal  
 Driver Class: Class 2  
 Constant Current (MA): 350mA  
 Upon Request: 0-10V Dimming / Phase Dimming

#### LED

Color Temperature (°K): 2700-6500 Tunable White  
 Max. Delivered Lumen (lm): Max 1119  
 Nominal Lumen (lm): Max 1495  
 CRI: >90 CRI  
 Efficiency (%): 90.8  
 Lamp Life (hrs): 50000

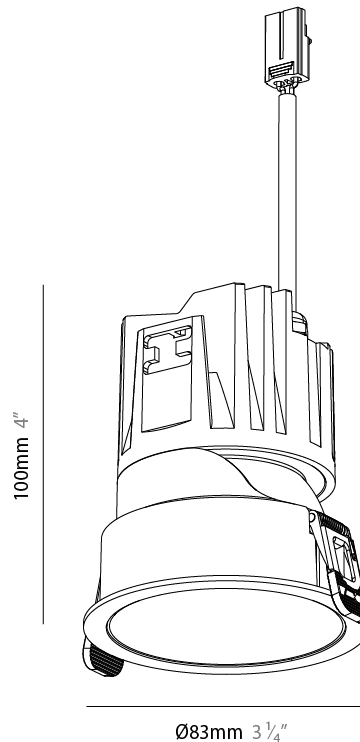
#### OPTICAL

Beam Angle: 24 / 32 / 42  
 Adjustability: Rotational 350° / Tilt 30°

#### RATINGS AND CERTIFICATIONS

Certified By: Certified for North American Standards  
 IP rating: IP65  
 Glare Rating: ≤ 10

|           |  |
|-----------|--|
| PROJECT   |  |
| TYPE      |  |
| SPECIFIER |  |
| QUANTITY  |  |
| DATE      |  |



A350196-

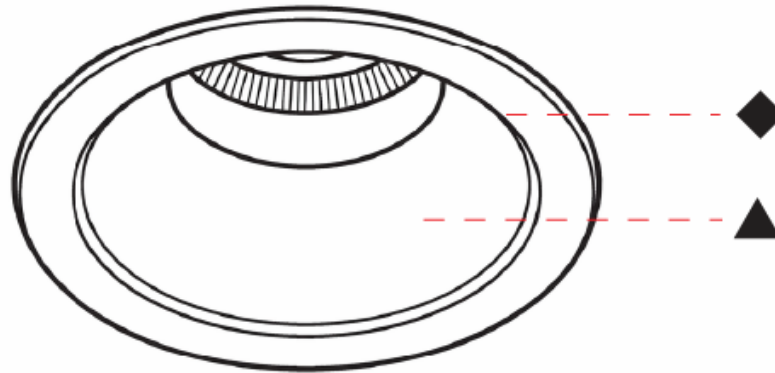
PROJECT

TYPE

SPECIFIER

QUANTITY

DATE



## BIONIQ EVO RECESSED

### A350197-

base number      Finish Options      Finish Options      Lens Options      Beam Angle Options

- To build a product code in our configurator select the specify button on the base model # product page
- To build a manual product code on this datasheet choose from the options listed below in blue font and add the suffix to the base model #

#### GENERAL

Series: Bioniq Evo  
 Partner: Prolicht  
 Division: Architectural  
 Installation: Recessed  
 Product Type: Downlight  
 Mounting Location: Ceiling  
 Light Distribution: Adjustable / Direct

#### PHYSICAL

Aperture Sizes - Downlights: 3"  
 Shape: Round  
 Diameter (mm): 83  
 Diameter (in): 3 1/4  
 Height (mm): 100  
 Depth (mm): 105  
 Height (in): 4  
 Depth (in): 4 1/8  
 Ceiling Thickness (mm): 2 - 20  
 Ceiling Thickness (in): 1/16 - 13/16  
 Weight (kg): 0.3  
 Fixture Finish: [BLK](#) / [WHI](#) / [ARB](#) / [CHR](#)  
 Holder Finish: [WHI](#) / [BLK](#)  
 Fixture Material: Extruded Aluminum  
 Cut-out Measurements: Ø 75mm/2 15/16"

#### ELECTRICAL

Lamp Type: LED (Zhaga Standard)  
 Input Wattage (W): 12.3  
 Total Output Wattage (W): 10.9  
 Dimming: Non-dimming / DALI Dimming / MATTER Dimming  
 Driver Included: No  
 Driver Location: Remote  
 Driver Type: Constant Current - Universal  
 Driver Class: Class 2  
 Constant Current (MA): 350mA  
 Upon Request: 0-10V Dimming / Phase Dimming

#### LED

Color Temperature (°K): 2700-6500 Tunable White  
 Max. Delivered Lumen (lm): Max 1119  
 Nominal Lumen (lm): Max 1495  
 CRI: >90 CRI  
 Efficiency (%): 81.9%  
 Lamp Life (hrs): 50000

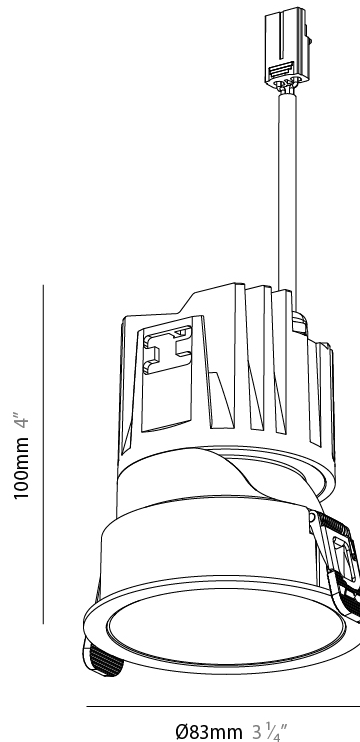
#### OPTICAL

Beam Angle: [24](#) / [32](#) / [42](#)  
 Adjustability: Rotational 350° / Tilt 30°

#### RATINGS AND CERTIFICATIONS

Certified By: Certified for North American Standards  
 IP rating: IP65  
 Glare Rating: ≤ 10

PROJECT \_\_\_\_\_  
 TYPE \_\_\_\_\_  
 SPECIFIER \_\_\_\_\_  
 QUANTITY \_\_\_\_\_  
 DATE \_\_\_\_\_



A350197-

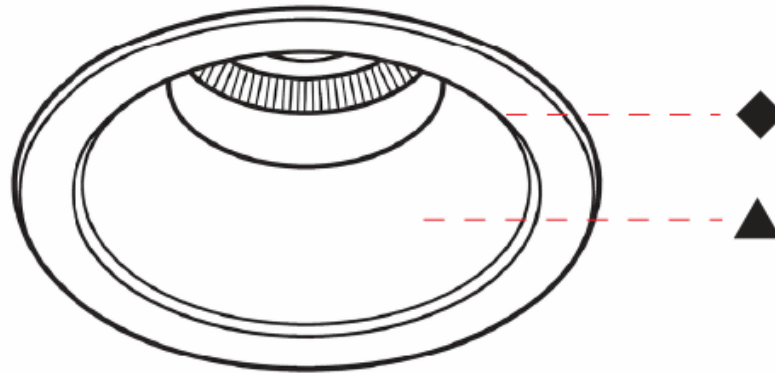
PROJECT

TYPE

SPECIFIER

QUANTITY

DATE



## BIONIQ EVO RECESSED

### A350198-

base number    Color    Finishes    Finishes    Lens    Beam Angle  
 Temperature    (Diamond)    (Triangle)    Options    Options

- To build a product code in our configurator select the specify button on the base model # product page
- To build a manual product code on this datasheet choose from the options listed below in blue font and add the suffix to the base model #

#### GENERAL

Series: Bioniq Evo  
 Partner: Prolicht  
 Division: Architectural  
 Installation: Recessed  
 Product Type: Downlight  
 Mounting Location: Ceiling  
 Light Distribution: Adjustable / Direct

#### PHYSICAL

Aperture Sizes - Downlights: 4"  
 Shape: Round  
 Diameter (mm): 108  
 Diameter (in): 4 ¼"  
 Height (mm): 127  
 Depth (mm): 135  
 Height (in): 5  
 Depth (in): 5 ⅝"  
 Ceiling Thickness (mm): 2 - 20  
 Ceiling Thickness (in): 1/16 - 13/16  
 Weight (kg): 0.7  
 Fixture Finish: [SSR / BKV / CWI / CRY / HAB / UFT / ITA / RUA / FTG / MYG / LOD / PUS / FRO / FUP / KIA / POP / BLS / SPG / MEY / GOH / CHC / COM / ABZ / JAG / OBR / MOS / ROR](#)  
 Fixture Material: Extruded Aluminum  
 Cut-out Measurements: Ø 95mm/3 3/4"

#### ELECTRICAL

Lamp Type: LED (Zhaga Standard)  
 Input Wattage (W): 21.9  
 Total Output Wattage (W): 20  
 Dimming: Non-dimming / DALI Dimming / MATTER Dimming  
 Driver Included: No  
 Driver Location: Remote  
 Driver Type: Constant Current - Universal  
 Driver Class: Class 2  
 Constant Current (mA): 500mA  
 Upon Request: 0-10V Dimming / Phase Dimming

#### LED

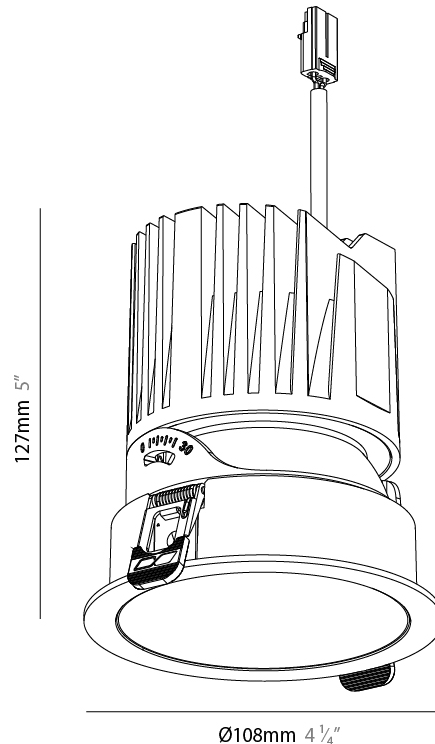
Color Temperature (°K): [2400 / 2700 / 3000 / 3500 / 4000](#)  
 Max. Delivered Lumen (lm): Max 2583  
 Nominal Lumen (lm): Max 3490  
 CRI: >90 CRI  
 Efficiency (%): 107.2  
 Lamp Life (hrs): 50000

#### OPTICAL

Beam Angle: [26 / 34 / 46 / 56](#)  
 Adjustability: Rotational 350° / Tilt 30°

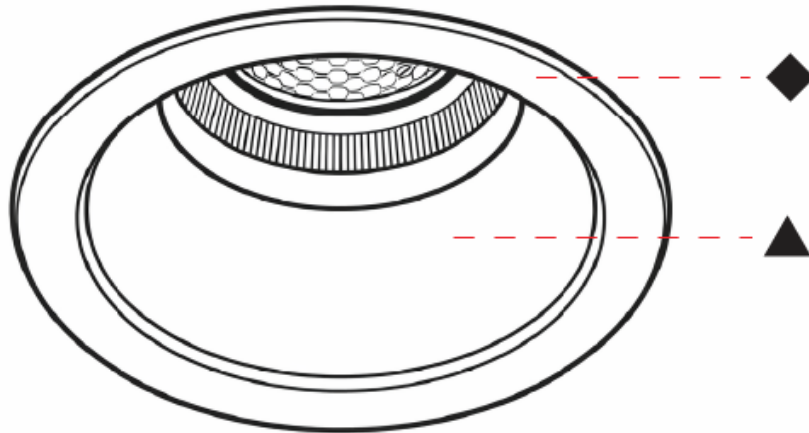
#### RATINGS AND CERTIFICATIONS

Certified By: Certified for North American Standards  
 IP rating: IP65  
 Glare Rating: ≤ 10



A350198-

|           |       |
|-----------|-------|
| PROJECT   | _____ |
| TYPE      | _____ |
| SPECIFIER | _____ |
| QUANTITY  | _____ |
| DATE      | _____ |



## BIONIQ EVO RECESSED

### A350199-

base number    Color Temperature    Finish Options    Finish Options    Lens Options    Beam Angle Options

- To build a product code in our configurator select the specify button on the base model # product page
- To build a manual product code on this datasheet choose from the options listed below in blue font and add the suffix to the base model #

#### GENERAL

Series: Bioniq Evo  
 Partner: Prolicht  
 Division: Architectural  
 Installation: Recessed  
 Product Type: Downlight  
 Mounting Location: Ceiling  
 Light Distribution: Adjustable / Direct

#### PHYSICAL

Aperture Sizes - Downlights: 4"  
 Shape: Round  
 Diameter (mm): 108  
 Diameter (in): 4 1/4"  
 Height (mm): 127  
 Depth (mm): 135  
 Height (in): 5  
 Depth (in): 5 3/16"  
 Ceiling Thickness (mm): 2 - 20  
 Ceiling Thickness (in): 1/16 - 13/16  
 Weight (kg): 0.7  
 Fixture Finish: [BLK](#) / [WHI](#) / [ARB](#) / [CHR](#)  
 Holder Finish: [WHI](#) / [BLK](#)  
 Fixture Material: Extruded Aluminum  
 Cut-out Measurements: Ø95mm/3 3/4"

#### ELECTRICAL

Lamp Type: LED (Zhaga Standard)  
 Input Wattage (W): 21.9  
 Total Output Wattage (W): 20  
 Dimming: Non-dimming / DALI Dimming / MATTER Dimming  
 Driver Included: No  
 Driver Location: Remote  
 Driver Type: Constant Current - Universal  
 Driver Class: Class 2  
 Constant Current (MA): 500mA  
 Upon Request: 0-10V Dimming / Phase Dimming

#### LED

Color Temperature (°K): [2400](#) / [2700](#) / [3000](#) / [3500](#) / [4000](#)  
 Max. Delivered Lumen (lm): Max 2583  
 Nominal Lumen (lm): Max 3490  
 CRI: >90 CRI  
 Efficiency (%): 107.2  
 Lamp Life (hrs): 50000

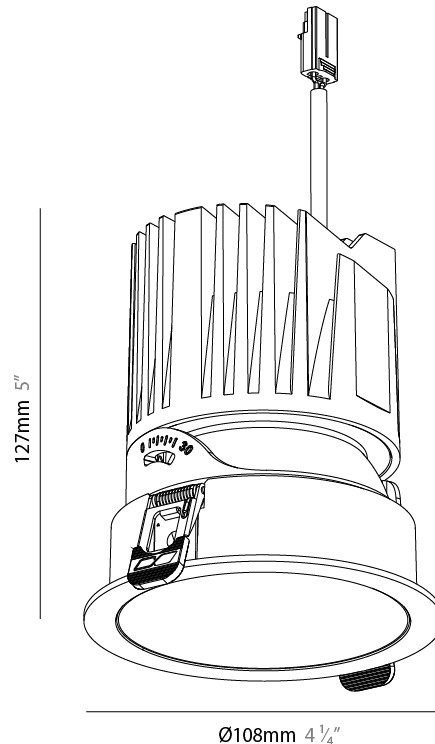
#### OPTICAL

Beam Angle: [26](#) / [34](#) / [46](#) / [56](#)  
 Adjustability: Rotational 350° / Tilt 30°

#### RATINGS AND CERTIFICATIONS

Certified By: Certified for North American Standards  
 IP rating: IP65  
 Glare Rating: ≤ 10

|           |       |
|-----------|-------|
| PROJECT   | _____ |
| TYPE      | _____ |
| SPECIFIER | _____ |
| QUANTITY  | _____ |
| DATE      | _____ |



A350199-

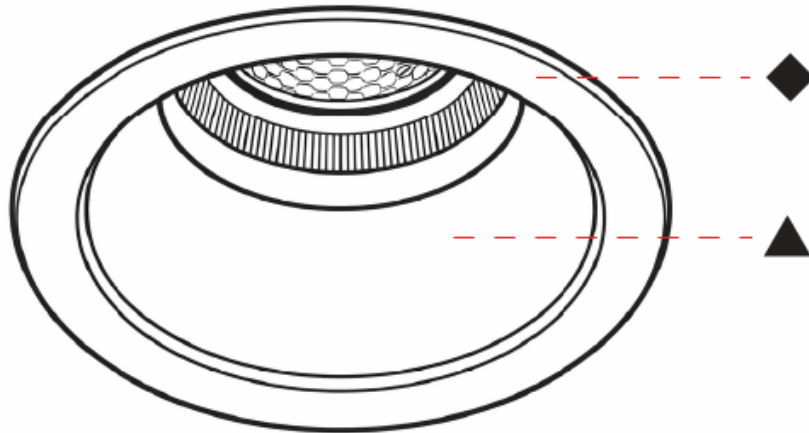
PROJECT

TYPE

SPECIFIER

QUANTITY

DATE



A

## BIONIQ EVO RECESSED

### A350200-

base number      Finishes (Diamond)      Finishes (Triangle)      Lens Options      Beam Angle Options

- To build a product code in our configurator select the specify button on the base model # product page
- To build a manual product code on this datasheet choose from the options listed below in blue font and add the suffix to the base model #

#### GENERAL

Series: Bioniq Evo  
 Partner: Prolicht  
 Division: Architectural  
 Installation: Recessed  
 Product Type: Downlight  
 Mounting Location: Ceiling  
 Light Distribution: Adjustable / Direct

#### PHYSICAL

Aperture Sizes - Downlights: 4"  
 Shape: Round  
 Diameter (mm): 108  
 Diameter (in): 4 1/4"  
 Height (mm): 127  
 Depth (mm): 135  
 Height (in): 5  
 Depth (in): 5 3/16"  
 Ceiling Thickness (mm): 2 - 20  
 Ceiling Thickness (in): 1/16 - 13/16  
 Weight (kg): 0.7  
 Fixture Finish: SSR / BKV / CWI / CRY / HAB / UFT / ITA / RUA / FTG / MYG / LOD / PUS / FRO / FUP / KIA / POP / BLS / SPG / MEY / GOH / CHC / COM / ABZ / JAG / OBR / MOS / ROR  
 Fixture Material: Extruded Aluminum  
 Cut-out Measurements: Ø 95mm/3 3/4"

#### ELECTRICAL

Lamp Type: LED (Zhaga Standard)  
 Input Wattage (W): 19.9  
 Total Output Wattage (W): 18.2  
 Dimming: Non-dimming / DALI Dimming / MATTER Dimming  
 Driver Included: No  
 Driver Location: Remote  
 Driver Type: Constant Current - Universal  
 Driver Class: Class 2  
 Constant Current (mA): 500mA  
 Upon Request: 0-10V Dimming / Phase Dimming

#### LED

Color Temperature (°K): 2700-6500 Tunable White  
 Max. Delivered Lumen (lm): Max 1906  
 Nominal Lumen (lm): Max 2385  
 CRI: >90 CRI  
 Efficiency (%): 95.6  
 Lamp Life (hrs): 50000

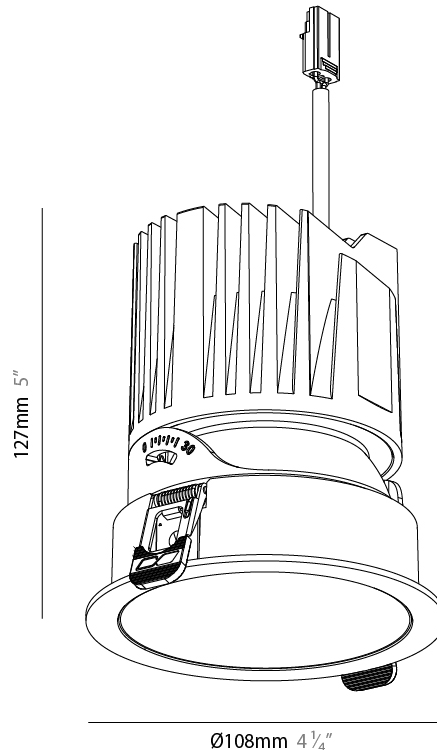
#### OPTICAL

Beam Angle: 26 / 34 / 46 / 56  
 Adjustability: Rotational 350° / Tilt 30°

#### RATINGS AND CERTIFICATIONS

Certified By: Certified for North American Standards  
 IP rating: IP65  
 Glare Rating: ≤ 10

|           |
|-----------|
| PROJECT   |
| TYPE      |
| SPECIFIER |
| QUANTITY  |
| DATE      |



A350200-

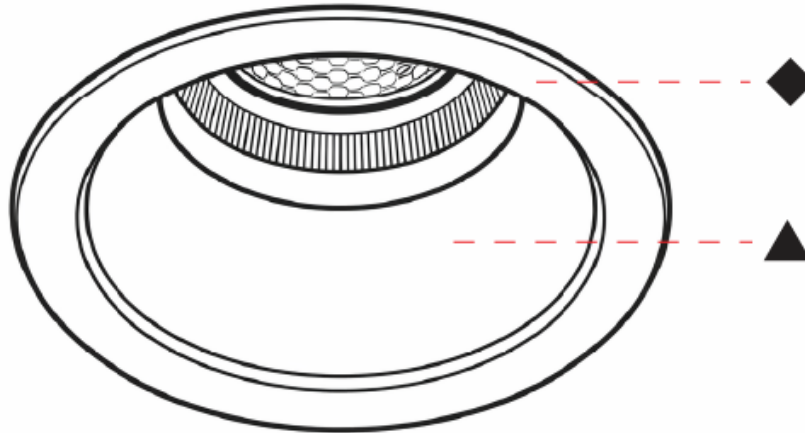
PROJECT

TYPE

SPECIFIER

QUANTITY

DATE



## BIONIQ EVO RECESSED

### A350201-

base number      Finish Options      Finish Options      Lens Options      Beam Angle Options

- To build a product code in our configurator select the specify button on the base model # product page
- To build a manual product code on this datasheet choose from the options listed below in blue font and add the suffix to the base model #

#### GENERAL

Series: Bioniq Evo  
 Partner: Prolicht  
 Division: Architectural  
 Installation: Recessed  
 Product Type: Downlight  
 Mounting Location: Ceiling  
 Light Distribution: Adjustable / Direct

#### PHYSICAL

Aperture Sizes - Downlights: 4"  
 Shape: Round  
 Diameter (mm): 108  
 Diameter (in): 4 1/4"  
 Height (mm): 127  
 Depth (mm): 135  
 Height (in): 5  
 Depth (in): 5 3/16"  
 Ceiling Thickness (mm): 2 - 20  
 Ceiling Thickness (in): 1/16 - 13/16  
 Weight (kg): 0.7  
 Fixture Finish: [BLK](#) / [WHI](#) / [ARB](#) / [CHR](#)  
 Holder Finish: [WHI](#) / [BLK](#)  
 Fixture Material: Extruded Aluminum  
 Cut-out Measurements: Ø 75mm/2 15/16"

#### ELECTRICAL

Lamp Type: LED (Zhaga Standard)  
 Input Wattage (W): 19.9  
 Total Output Wattage (W): 18.2  
 Dimming: Non-dimming / DALI Dimming / MATTER Dimming  
 Driver Included: No  
 Driver Location: Remote  
 Driver Type: Constant Current - Universal  
 Driver Class: Class 2  
 Constant Current (MA): 500mA  
 Upon Request: 0-10V Dimming / Phase Dimming

#### LED

Color Temperature (°K): 2700-6500 Tunable White  
 Max. Delivered Lumen (lm): Max 1906  
 Nominal Lumen (lm): Max 2385  
 CRI: >90 CRI  
 Efficiency (%): 95.6  
 Lamp Life (hrs): 50000

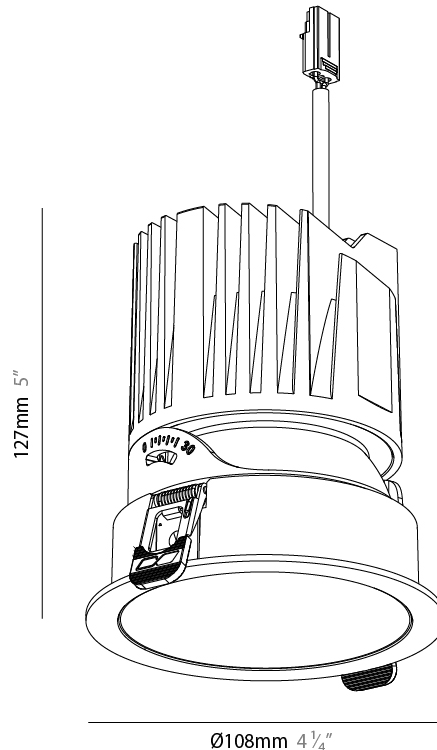
#### OPTICAL

Beam Angle: [26](#) / [34](#) / [46](#) / [56](#)  
 Adjustability: Rotational 350° / Tilt 30°

#### RATINGS AND CERTIFICATIONS

Certified By: Certified for North American Standards  
 IP rating: IP65  
 Glare Rating: ≤ 10

|           |       |
|-----------|-------|
| PROJECT   | _____ |
| TYPE      | _____ |
| SPECIFIER | _____ |
| QUANTITY  | _____ |
| DATE      | _____ |



A350201-

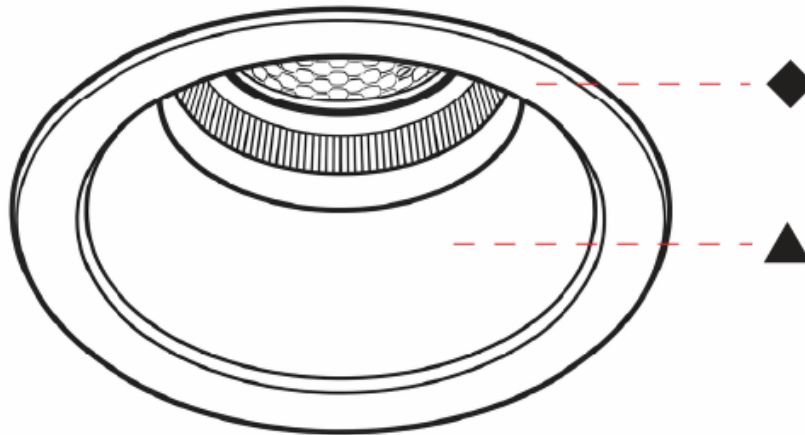
PROJECT

TYPE

SPECIFIER

QUANTITY

DATE



## BIONIQ EVO TRIMLESS

### A350202-

base number    Color    Finishes    Lens    Beam Angle  
 Temperature    (Diamond)    Options    Options

- To build a product code in our configurator select the specify button on the base model # product page
- To build a manual product code on this datasheet choose from the options listed below in blue font and add the suffix to the base model #

#### GENERAL

Series: Bioniq Evo  
 Partner: Prolicht  
 Division: Architectural  
 Installation: Trimless  
 Product Type: Downlight  
 Mounting Location: Ceiling  
 Light Distribution: Adjustable / Direct

#### PHYSICAL

Aperture Sizes - Downlights: 2"  
 Shape: Round  
 Diameter (mm): 90  
 Diameter (in): 3 1/2  
 Height (mm): 85  
 Depth (mm): 100  
 Height (in): 3 3/8  
 Depth (in): 3 15/16  
 Ceiling Thickness (mm): 10 - 50  
 Ceiling Thickness (in): 3/8 - 1 15/16  
 Weight (kg): 0.8  
 Fixture Finish: [SSR / BKV / CWI / CRY / HAB / UFT / ITA / RUA / FTG / MYG / LOD / PUS / FRO / FUP / KIA / POP / BLS / SPG / MEY / GOH / CHC / COM / ABZ / JAG / OBR / MOS / ROR](#)  
 Fixture Material: Extruded Aluminum  
 Cut-out Measurements: Ø 55mm/2 3/16"

#### ELECTRICAL

Lamp Type: LED (Zhaga Standard)  
 Input Wattage (W): 9.2  
 Total Output Wattage (W): 8.2  
 Dimming: Non-dimming / DALI Dimming / MATTER Dimming  
 Driver Included: No  
 Driver Location: Remote  
 Driver Type: Constant Current - Universal  
 Driver Class: Class 2  
 Constant Current (mA): 250mA  
 Upon Request: 0-10V Dimming / Phase Dimming

#### LED

Color Temperature (°K): [2400 / 2700 / 3000 / 3500 / 4000](#)  
 Max. Delivered Lumen (lm): Max 922  
 Nominal Lumen (lm): 1456  
 CRI: >90 CRI  
 Efficiency (%): 100.7  
 Lamp Life (hrs): 50000

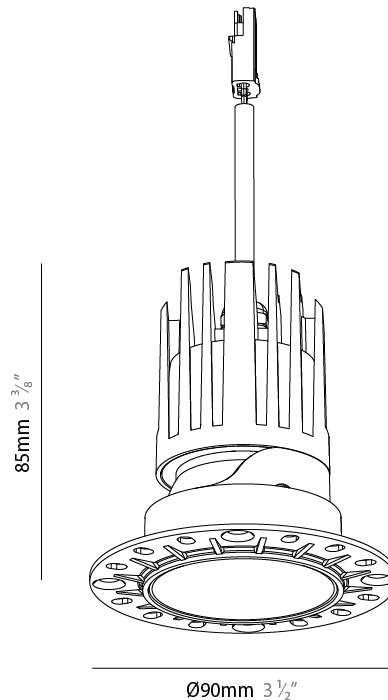
#### OPTICAL

Beam Angle: [24 / 32 / 46 / 56](#)  
 Adjustability: Rotational 350° / Tilt 30°

#### RATINGS AND CERTIFICATIONS

Certified By: Certified for North American Standards  
 IP rating: IP65  
 Glare Rating: ≤ 10

|           |
|-----------|
| PROJECT   |
| TYPE      |
| SPECIFIER |
| QUANTITY  |
| DATE      |



A350202-

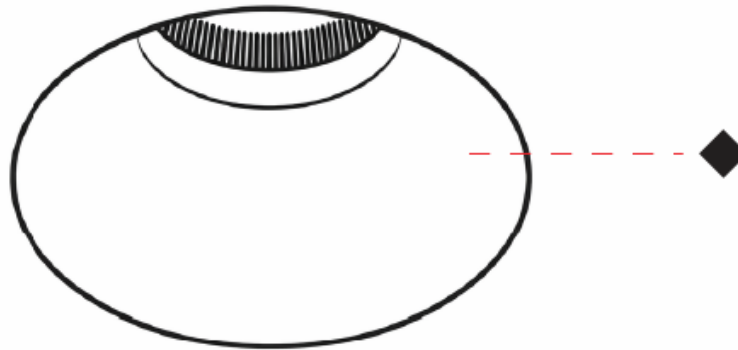
PROJECT

TYPE

SPECIFIER

QUANTITY

DATE



## BIONIQ EVO TRIMLESS

### A350203-

base number    Color    Finish    Lens    Beam Angle  
 Temperature    Options    Options    Options

- To build a product code in our configurator select the specify button on the base model # product page
- To build a manual product code on this datasheet choose from the options listed below in blue font and add the suffix to the base model #

#### GENERAL

Series: Bioniq Evo  
 Partner: Prolicht  
 Division: Architectural  
 Installation: Trimless  
 Product Type: Downlight  
 Mounting Location: Ceiling  
 Light Distribution: Adjustable / Direct

#### PHYSICAL

Aperture Sizes - Downlights: 2"  
 Shape: Round  
 Diameter (mm): 90  
 Diameter (in): 3 1/2  
 Height (mm): 85  
 Depth (mm): 100  
 Height (in): 3 3/8  
 Depth (in): 3 15/16  
 Ceiling Thickness (mm): 10 - 50  
 Ceiling Thickness (in): 3/8 - 1 15/16  
 Weight (kg): 0.4  
 Fixture Finish: [BLK / WHI / ARB / CHR](#)  
 Fixture Material: Extruded Aluminum  
 Cut-out Measurements: Ø 55mm/2 3/16"

#### ELECTRICAL

Lamp Type: LED (Zhaga Standard)  
 Input Wattage (W): 9.2  
 Total Output Wattage (W): 8.2  
 Dimming: Non-dimming / DALI Dimming / MATTER Dimming  
 Driver Included: No  
 Driver Location: Remote  
 Driver Type: Constant Current - Universal  
 Driver Class: Class 2  
 Constant Current (MA): 250mA  
 Upon Request: 0-10V Dimming / Phase Dimming

#### LED

Color Temperature (\*K): [2400 / 2700 / 3000 / 3500 / 4000](#)  
 Max. Delivered Lumen (lm): Max 922  
 Nominal Lumen (lm): 1456  
 CRI: >90 CRI  
 Efficiency (%): 100.7  
 Lamp Life (hrs): 50000

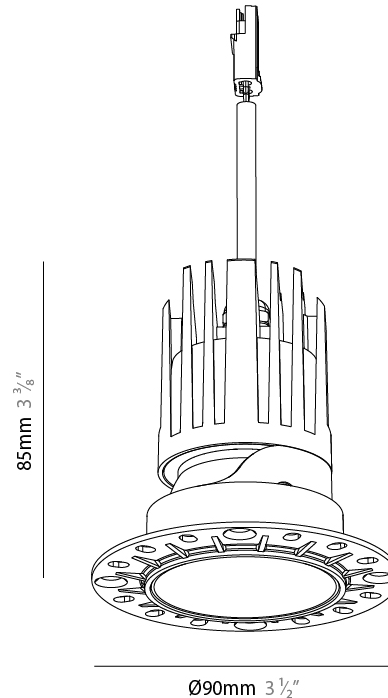
#### OPTICAL

Beam Angle: [24 / 32 / 46 / 56](#)  
 Adjustability: Rotational 350° / Tilt 30°

#### RATINGS AND CERTIFICATIONS

Certified By: Certified for North American Standards  
 IP rating: IP65  
 Glare Rating: ≤ 10

|           |
|-----------|
| PROJECT   |
| TYPE      |
| SPECIFIER |
| QUANTITY  |
| DATE      |



A350203-

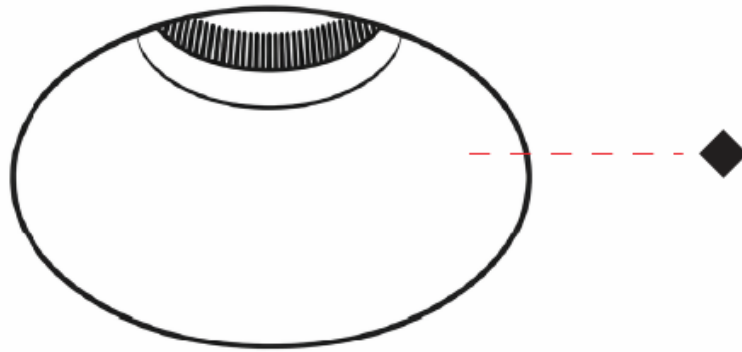
PROJECT

TYPE

SPECIFIER

QUANTITY

DATE



## BIONIQ EVO TRIMLESS

### A350204-

base number      Color      Finishes      Lens  
 Temperature      (Diamond)      Options

- To build a product code in our configurator select the specify button on the base model # product page
- To build a manual product code on this datasheet choose from the options listed below in blue font and add the suffix to the base model #

#### GENERAL

Series: Bioniq Evo  
 Partner: Prolicht  
 Division: Architectural  
 Installation: Trimless  
 Product Type: Downlight  
 Mounting Location: Ceiling  
 Light Distribution: Adjustable / Direct

#### PHYSICAL

Aperture Sizes - Downlights: 2"  
 Shape: Round  
 Diameter (mm): 90  
 Diameter (in): 3 1/2  
 Height (mm): 85  
 Depth (mm): 100  
 Height (in): 3 3/8  
 Depth (in): 3 15/16  
 Ceiling Thickness (mm): 10 - 50  
 Ceiling Thickness (in): 3/8 - 1 15/16  
 Weight (kg): 0.8  
 Fixture Finish: SSR / BKV / CWI / CRY / HAB / UFT / ITA / RUA / FTG / MYG / LOD / PUS / FRO / FUP / KIA / POP / BLS / SPG / MEY / GOH / CHC / COM / ABZ / JAG / OBR / MOS / ROR  
 Fixture Material: Extruded Aluminum  
 Cut-out Measurements: Ø 55mm/2 3/16"

#### ELECTRICAL

Lamp Type: LED (Zhaga Standard)  
 Input Wattage (W): 8  
 Total Output Wattage (W): 7.3  
 Dimming: Non-dimming / DALI Dimming / MATTER Dimming  
 Driver Included: No  
 Driver Location: Remote  
 Driver Type: Constant Current - Universal  
 Driver Class: Class 2  
 Constant Current (MA): 250mA  
 Upon Request: 0-10V Dimming / Phase Dimming

#### LED

Color Temperature (°K): 2400 / 2700 / 3000 / 3500 / 4000  
 Max. Delivered Lumen (lm): Max 521  
 Nominal Lumen (lm): 920  
 CRI: >90 CRI  
 Efficiency (%): 64.9  
 Lamp Life (hrs): 50000

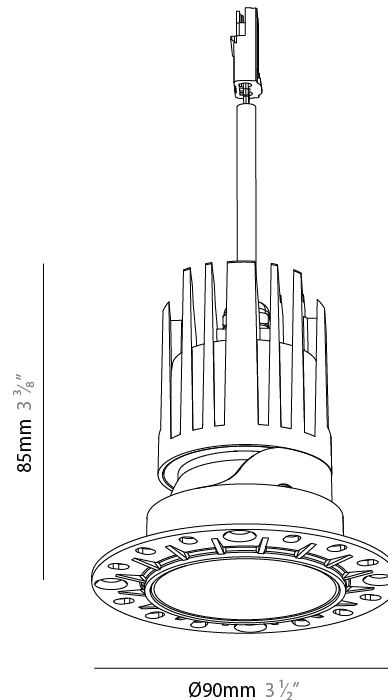
#### OPTICAL

Beam Angle: 10  
 Adjustability: Rotational 350° / Tilt 30°

#### RATINGS AND CERTIFICATIONS

Certified By: Certified for North American Standards  
 IP rating: IP65  
 Glare Rating: ≤ 10

|           |
|-----------|
| PROJECT   |
| TYPE      |
| SPECIFIER |
| QUANTITY  |
| DATE      |



A350204-

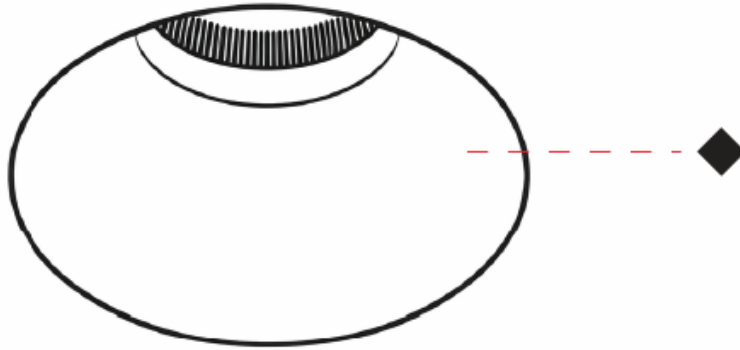
PROJECT

TYPE

SPECIFIER

QUANTITY

DATE



## BIONIQ EVO TRIMLESS

### A350206-

base number    Color    Finishes    Lens    Beam Angle  
 Temperature    (Diamond)    Options    Options

- To build a product code in our configurator select the specify button on the base model # product page
- To build a manual product code on this datasheet choose from the options listed below in blue font and add the suffix to the base model #

#### GENERAL

Series: Bioniq Evo  
 Partner: Prolicht  
 Division: Architectural  
 Installation: Trimless  
 Product Type: Downlight  
 Mounting Location: Ceiling  
 Light Distribution: Adjustable / Direct

#### PHYSICAL

Aperture Sizes - Downlights: 3"  
 Shape: Round  
 Diameter (mm): 95  
 Diameter (in): 3 3/4  
 Height (mm): 95  
 Depth (mm): 105  
 Height (in): 3 3/4  
 Depth (in): 4 1/8  
 Ceiling Thickness (mm): 10 - 50  
 Ceiling Thickness (in): 3/8 - 1 15/16  
 Weight (kg): 0.3  
 Fixture Finish: SSR / BKV / CWI / CRY / HAB / UFT / ITA / RUA / FTG / MYG / LOD / PUS / FRO / FUP / KIA / POP / BLS / SPG / MEY / GOH / CHC / COM / ABZ / JAG / OBR / MOS / ROR  
 Fixture Material: Extruded Aluminum  
 Cut-out Measurements: Ø 75mm/2 15/16"

#### ELECTRICAL

Lamp Type: LED (Zhaga Standard)  
 Input Wattage (W): 12.8  
 Total Output Wattage (W): 11.8  
 Dimming: Non-dimming / DALI Dimming / MATTER Dimming  
 Driver Included: No  
 Driver Location: Remote  
 Driver Type: Constant Current - Universal  
 Driver Class: Class 2  
 Constant Current (mA): 350mA  
 Upon Request: 0-10V Dimming / Phase Dimming

#### LED

Color Temperature (°K): 2400 / 2700 / 3000 / 3500 / 4000  
 Max. Delivered Lumen (lm): Max 1502  
 Nominal Lumen (lm): 2006  
 CRI: >90 CRI  
 Efficiency (%): 117  
 Lamp Life (hrs): 50000

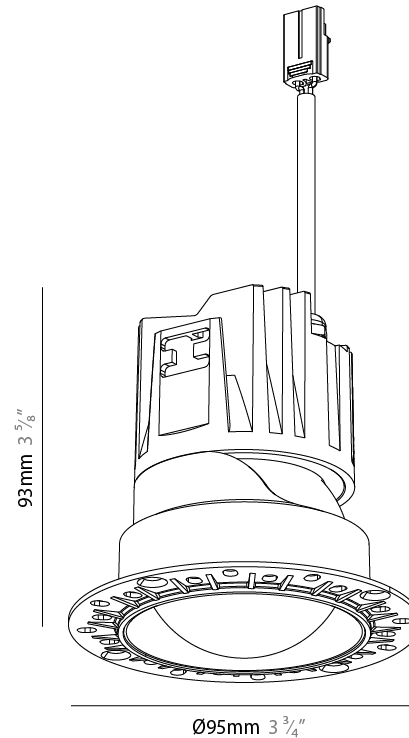
#### OPTICAL

Beam Angle: 24 / 32 / 42  
 Adjustability: Rotational 350° / Tilt 30°

#### RATINGS AND CERTIFICATIONS

Certified By: Certified for North American Standards  
 IP rating: IP65  
 Glare Rating: ≤ 10

|           |
|-----------|
| PROJECT   |
| TYPE      |
| SPECIFIER |
| QUANTITY  |
| DATE      |



A350206-

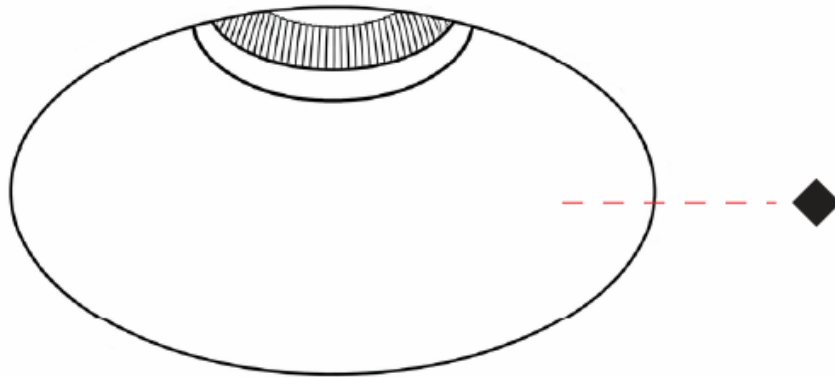
PROJECT

TYPE

SPECIFIER

QUANTITY

DATE



A

## BIONIQ EVO TRIMLESS

### A350207-

base number    Color    Finish    Lens    Beam Angle  
 Temperature    Options    Options    Options

- To build a product code in our configurator select the specify button on the base model # product page
- To build a manual product code on this datasheet choose from the options listed below in blue font and add the suffix to the base model #

#### GENERAL

Series: Bioniq Evo  
 Partner: Prolicht  
 Division: Architectural  
 Installation: Trimless  
 Product Type: Downlight  
 Mounting Location: Ceiling  
 Light Distribution: Adjustable / Direct

#### PHYSICAL

Shape: Round  
 Diameter (mm): 95  
 Diameter (in): 3 3/4  
 Height (mm): 95  
 Depth (mm): 105  
 Height (in): 3 3/4  
 Depth (in): 4 1/8  
 Ceiling Thickness (mm): 10 - 50  
 Ceiling Thickness (in): 3/8 - 1 15/16  
 Weight (kg): 0.3  
 Fixture Finish: [BLK / WHI / ARB / CHR](#)  
 Fixture Material: Extruded Aluminum  
 Cut-out Measurements: Ø 75mm/2 15/16"

#### ELECTRICAL

Lamp Type: LED (Zhaga Standard)  
 Input Wattage (W): 12.8  
 Total Output Wattage (W): 11.8  
 Dimming: Non-dimming / DALI Dimming / MATTER Dimming  
 Driver Included: No  
 Driver Location: Remote  
 Driver Type: Constant Current - Universal  
 Driver Class: Class 2  
 Constant Current (MA): 350mA  
 Upon Request: 0-10V Dimming / Phase Dimming

#### LED

Color Temperature (°K): [2400 / 2700 / 3000 / 3500 / 4000](#)  
 Max. Delivered Lumen (lm): Max 1502  
 Nominal Lumen (lm): 2006  
 CRI: >90 CRI  
 Efficiency (%): 117  
 Lamp Life (hrs): 50000

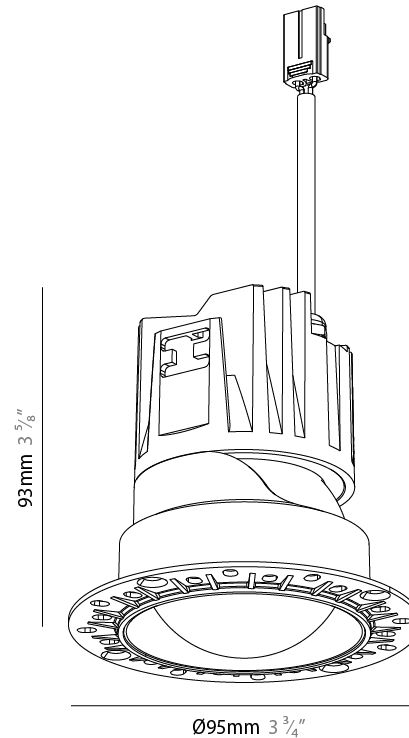
#### OPTICAL

Beam Angle: [24 / 32 / 42](#)  
 Adjustability: Rotational 350° / Tilt 30°

#### RATINGS AND CERTIFICATIONS

Certified By: Certified for North American Standards  
 IP rating: IP65  
 Glare Rating: ≤ 10

|           |
|-----------|
| PROJECT   |
| TYPE      |
| SPECIFIER |
| QUANTITY  |
| DATE      |



A350207-

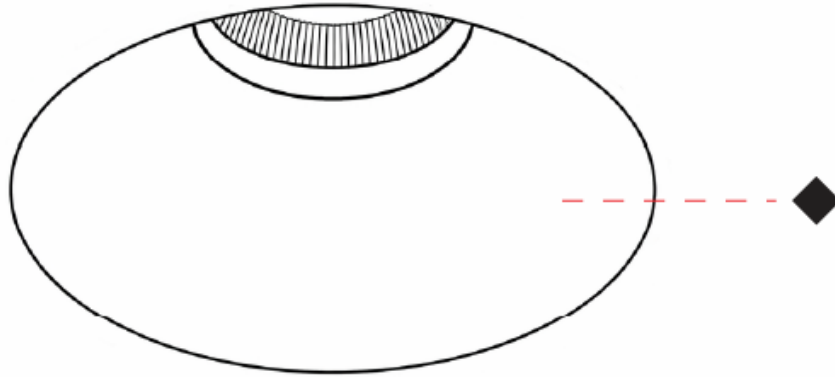
PROJECT

TYPE

SPECIFIER

QUANTITY

DATE



A

## BIONIQ EVO TRIMLESS

### A350208-

base number    Color    Finishes    Lens  
 Temperature    (Diamond)    Options

- To build a product code in our configurator select the specify button on the base model # product page
- To build a manual product code on this datasheet choose from the options listed below in blue font and add the suffix to the base model #

#### GENERAL

Series: Bioniq Evo  
 Partner: Prolicht  
 Division: Architectural  
 Installation: Trimless  
 Product Type: Downlight  
 Mounting Location: Ceiling  
 Light Distribution: Adjustable / Direct

#### PHYSICAL

Aperture Sizes - Downlights: 3"  
 Shape: Round  
 Diameter (mm): 67  
 Diameter (in): 2 5/8  
 Height (mm): 95  
 Depth (mm): 105  
 Height (in): 3 3/4  
 Depth (in): 4 1/8  
 Ceiling Thickness (mm): 10 - 50  
 Ceiling Thickness (in): 3/8 - 1 15/16  
 Weight (kg): 0.3  
 Fixture Finish: SSR / BKV / CWI / CRY / HAB / UFT / ITA / RUA / FTG / MYG / LOD / PUS / FRO / FUP / KIA / POP / BLS / SPG / MEY / GOH / CHC / COM / ABZ / JAG / OBR / MOS / ROR  
 Fixture Material: Extruded Aluminum  
 Cut-out Measurements: Ø 75mm/2 15/16"

#### ELECTRICAL

Lamp Type: LED (Zhaga Standard)  
 Input Wattage (W): 12.8  
 Total Output Wattage (W): 11.8  
 Dimming: Non-dimming / DALI Dimming / MATTER Dimming  
 Driver Included: No  
 Driver Location: Remote  
 Driver Type: Constant Current - Universal  
 Driver Class: Class 2  
 Constant Current (mA): 350mA  
 Upon Request: 0-10V Dimming / Phase Dimming

#### LED

Color Temperature (°K): 2400 / 2700 / 3000 / 3500 / 4000  
 Max. Delivered Lumen (lm): Max 604  
 Nominal Lumen (lm): Max 1065  
 CRI: >90 CRI  
 Efficiency (%): 47  
 Lamp Life (hrs): 50000

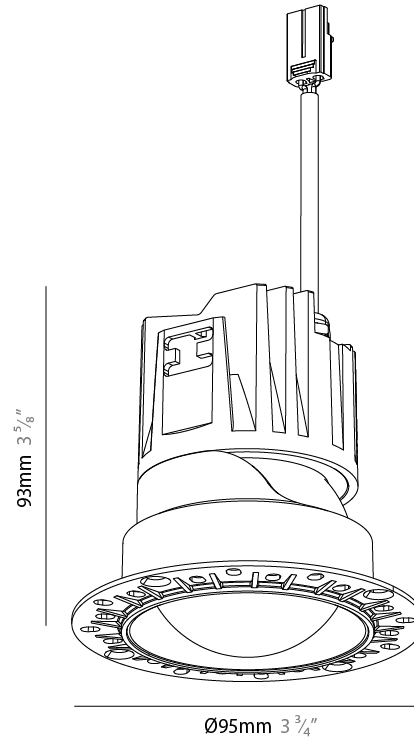
#### OPTICAL

Beam Angle: 10  
 Adjustability: Rotational 350° / Tilt 30°

#### RATINGS AND CERTIFICATIONS

Certified By: Certified for North American Standards  
 IP rating: IP65  
 Glare Rating: ≤ 10

|           |
|-----------|
| PROJECT   |
| TYPE      |
| SPECIFIER |
| QUANTITY  |
| DATE      |



A350208-

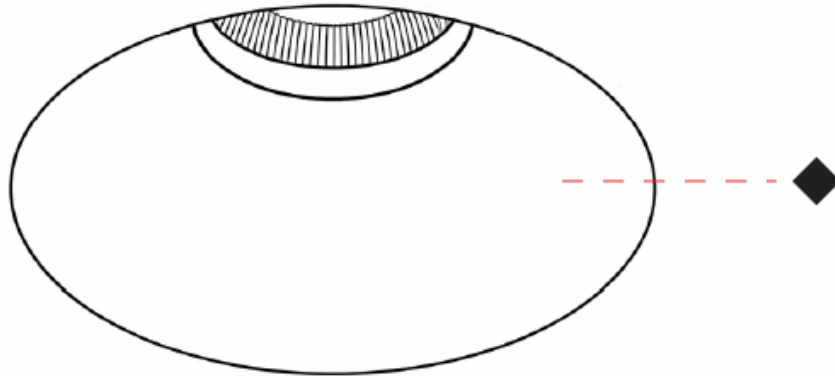
PROJECT

TYPE

SPECIFIER

QUANTITY

DATE



A

## BIONIQ EVO TRIMLESS

### A350209-

base number    Color    Finish    Lens  
 Temperature    Options    Options

- To build a product code in our configurator select the specify button on the base model # product page
- To build a manual product code on this datasheet choose from the options listed below in blue font and add the suffix to the base model #

#### GENERAL

Series: Bioniq Evo  
 Partner: Prolicht  
 Division: Architectural  
 Installation: Trimless  
 Product Type: Downlight  
 Mounting Location: Ceiling  
 Light Distribution: Adjustable / Direct

#### PHYSICAL

Aperture Sizes - Downlights: 3"  
 Shape: Round  
 Diameter (mm): 95  
 Diameter (in): 3 3/4  
 Height (mm): 93  
 Depth (mm): 105  
 Height (in): 3 5/8  
 Depth (in): 4 1/8  
 Ceiling Thickness (mm): 10 - 50  
 Ceiling Thickness (in): 3/8 - 1 15/16  
 Weight (kg): 0.3  
 Fixture Finish: [BLK / WHI / ARB / CHR](#)  
 Fixture Material: Extruded Aluminum  
 Cut-out Measurements: Ø 75mm/2 15/16"

#### ELECTRICAL

Lamp Type: LED (Zhaga Standard)  
 Input Wattage (W): 12.8  
 Total Output Wattage (W): 11.8  
 Dimming: Non-dimming / DALI Dimming / MATTER Dimming  
 Driver Included: No  
 Driver Location: Remote  
 Driver Type: Constant Current - Universal  
 Driver Class: Class 2  
 Constant Current (MA): 350mA  
 Upon Request: 0-10V Dimming / Phase Dimming

#### LED

Color Temperature (\*K): [2400 / 2700 / 3000 / 3500 / 4000](#)  
 Max. Delivered Lumen (lm): Max 604  
 Nominal Lumen (lm): Max 1065  
 CRI: >90 CRI  
 Efficiency (%): 47  
 Lamp Life (hrs): 50000

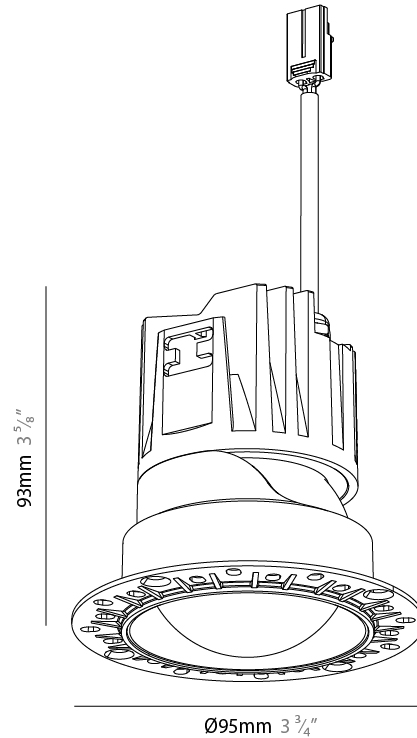
#### OPTICAL

Beam Angle: 10  
 Adjustability: Rotational 350° / Tilt 30°

#### RATINGS AND CERTIFICATIONS

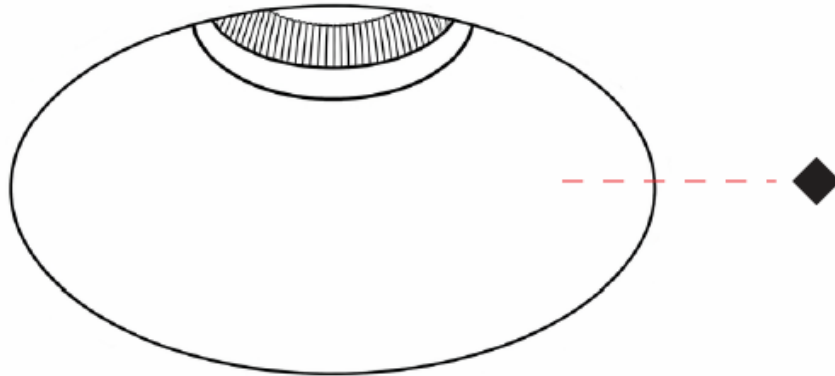
Certified By: Certified for North American Standards  
 IP rating: IP65  
 Glare Rating: ≤ 10

|           |
|-----------|
| PROJECT   |
| TYPE      |
| SPECIFIER |
| QUANTITY  |
| DATE      |



A350209-

|           |       |
|-----------|-------|
| PROJECT   | _____ |
| TYPE      | _____ |
| SPECIFIER | _____ |
| QUANTITY  | _____ |
| DATE      | _____ |



## BIONIQ EVO TRIMLESS

### A350210-

base number      Finishes (Diamond)      Lens Options      Beam Angle Options

- To build a product code in our configurator select the specify button on the base model # product page
- To build a manual product code on this datasheet choose from the options listed below in blue font and add the suffix to the base model #

#### GENERAL

Series: Bioniq Evo  
 Partner: Prolicht  
 Division: Architectural  
 Installation: Trimless  
 Product Type: Downlight  
 Mounting Location: Ceiling  
 Light Distribution: Adjustable / Direct

#### PHYSICAL

Aperture Sizes - Downlights: 3"  
 Shape: Round  
 Diameter (mm): 95  
 Diameter (in): 3 3/4  
 Height (mm): 93  
 Depth (mm): 105  
 Height (in): 3 5/8  
 Depth (in): 4 1/8  
 Ceiling Thickness (mm): 10 - 50  
 Ceiling Thickness (in): 3/8 - 1 15/16  
 Weight (kg): 0.3  
 Fixture Finish: [SSR / BKV / CWI / CRY / HAB / UFT / ITA / RUA / FTG / MYG / LOD / PUS / FRO / FUP / KIA / POP / BLS / SPG / MEY / GOH / CHC / COM / ABZ / JAG / OBR / MOS / ROR](#)  
 Fixture Material: Extruded Aluminum  
 Cut-out Measurements: Ø 75mm/2 15/16"

#### ELECTRICAL

Lamp Type: LED (Zhaga Standard)  
 Input Wattage (W): 12.3  
 Total Output Wattage (W): 10.9  
 Dimming: Non-dimming / DALI Dimming / MATTER Dimming  
 Driver Included: No  
 Driver Location: Remote  
 Driver Type: Constant Current - Universal  
 Driver Class: Class 2  
 Constant Current (mA): 350mA  
 Upon Request: 0-10V Dimming / Phase Dimming

#### LED

Color Temperature (°K): 2700-6500 Tunable White  
 Max. Delivered Lumen (lm): Max 1119  
 Nominal Lumen (lm): Max 1495  
 CRI: >90 CRI  
 Efficiency (%): 90.8  
 Lamp Life (hrs): 50000

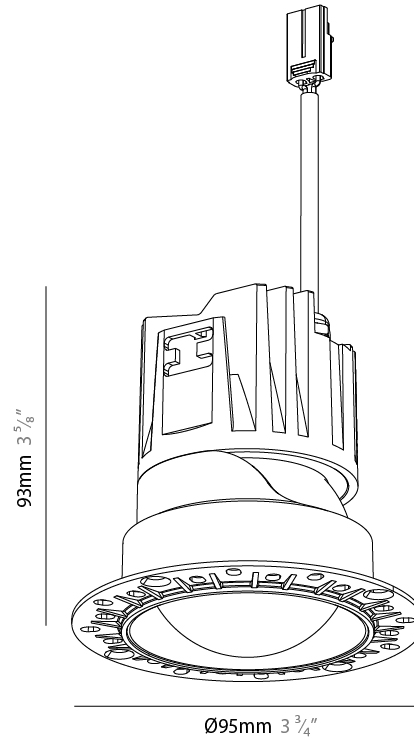
#### OPTICAL

Beam Angle: [24 / 32 / 42](#)  
 Adjustability: Rotational 350° / Tilt 30°

#### RATINGS AND CERTIFICATIONS

Certified By: Certified for North American Standards  
 IP rating: IP65  
 Glare Rating: ≤ 10

|           |
|-----------|
| PROJECT   |
| TYPE      |
| SPECIFIER |
| QUANTITY  |
| DATE      |



A350210-

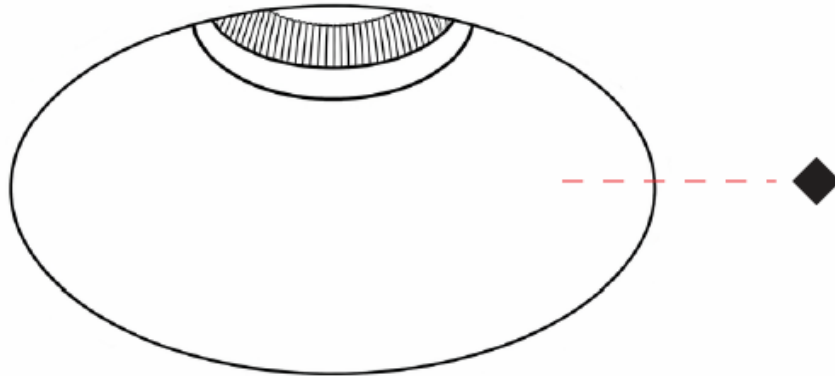
PROJECT

TYPE

SPECIFIER

QUANTITY

DATE



A

## BIONIQ EVO TRIMLESS

### A350211-

base number      Finish Options      Lens Options      Beam Angle Options

- To build a product code in our configurator select the specify button on the base model # product page
- To build a manual product code on this datasheet choose from the options listed below in blue font and add the suffix to the base model #

#### GENERAL

Series: Bioniq Evo  
 Partner: Prolicht  
 Division: Architectural  
 Installation: Trimless  
 Product Type: Downlight  
 Mounting Location: Ceiling  
 Light Distribution: Adjustable / Direct

#### PHYSICAL

Aperture Sizes - Downlights: 3"  
 Shape: Round  
 Diameter (mm): 95  
 Diameter (in): 3 3/4  
 Height (mm): 93  
 Depth (mm): 105  
 Height (in): 3 5/8  
 Depth (in): 4 1/8  
 Ceiling Thickness (mm): 10 - 50  
 Ceiling Thickness (in): 3/8 - 1 15/16  
 Weight (kg): 0.3  
 Fixture Finish: [BLK / WHI / ARB / CHR](#)  
 Fixture Material: Extruded Aluminum  
 Cut-out Measurements: Ø 75mm/2 15/16"

#### ELECTRICAL

Lamp Type: LED (Zhaga Standard)  
 Input Wattage (W): 12.3  
 Total Output Wattage (W): 10.9  
 Dimming: Non-dimming / DALI Dimming / MATTER Dimming  
 Driver Included: No  
 Driver Location: Remote  
 Driver Type: Constant Current - Universal  
 Driver Class: Class 2  
 Constant Current (MA): 350mA  
 Upon Request: 0-10V Dimming / Phase Dimming

#### LED

Color Temperature (°K): 2700-6500 Tunable White  
 Max. Delivered Lumen (lm): Max 1119  
 Nominal Lumen (lm): Max 1495  
 CRI: >90 CRI  
 Efficiency (%): 90.8  
 Lamp Life (hrs): 50000

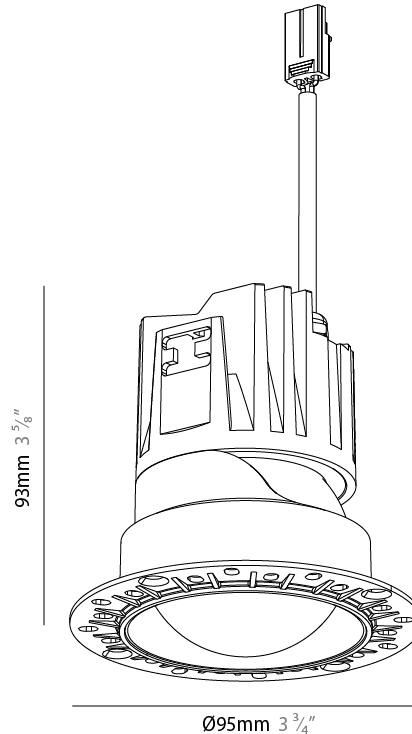
#### OPTICAL

Beam Angle: [24 / 32 / 42](#)  
 Adjustability: Rotational 350° / Tilt 30°

#### RATINGS AND CERTIFICATIONS

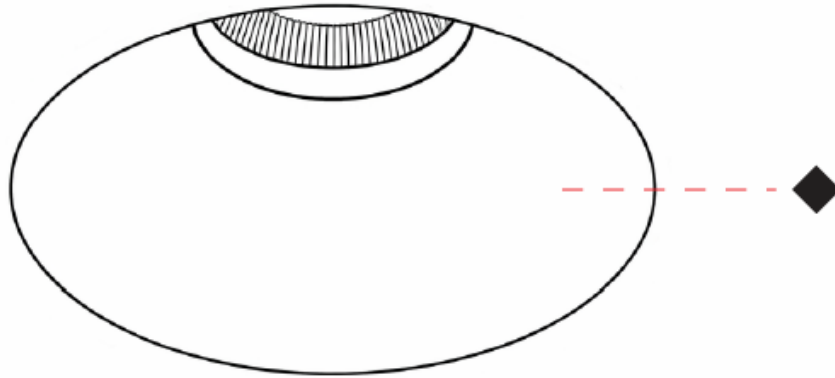
Certified By: Certified for North American Standards  
 IP rating: IP65  
 Glare Rating: ≤ 10

|           |  |
|-----------|--|
| PROJECT   |  |
| TYPE      |  |
| SPECIFIER |  |
| QUANTITY  |  |
| DATE      |  |



A350211-

|           |       |
|-----------|-------|
| PROJECT   | _____ |
| TYPE      | _____ |
| SPECIFIER | _____ |
| QUANTITY  | _____ |
| DATE      | _____ |



## BIONIQ EVO TRIMLESS

### A350212-

base number    Color    Finishes    Lens    Beam Angle  
 Temperature    (Diamond)    Options    Options

- To build a product code in our configurator select the specify button on the base model # product page
- To build a manual product code on this datasheet choose from the options listed below in blue font and add the suffix to the base model #

#### GENERAL

Series: Bioniq Evo  
 Partner: Prolicht  
 Division: Architectural  
 Installation: Trimless  
 Product Type: Downlight  
 Mounting Location: Ceiling  
 Light Distribution: Adjustable / Direct

#### PHYSICAL

Aperture Sizes - Downlights: 4"  
 Shape: Round  
 Diameter (mm): 125  
 Diameter (in): 4 7/8  
 Height (mm): 122  
 Depth (mm): 135  
 Height (in): 4 3/4  
 Depth (in): 5 1/16  
 Ceiling Thickness (mm): 10 - 50  
 Ceiling Thickness (in): 3/8 - 1 15/16  
 Weight (kg): 0.7  
 Fixture Finish: SSR / BKV / CWI / CRY / HAB / UFT / ITA / RUA / FTG / MYG / LOD / PUS / FRO / FUP / KIA / POP / BLS / SPG / MEY / GOH / CHC / COM / ABZ / JAG / OBR / MOS / ROR  
 Fixture Material: Extruded Aluminum  
 Cut-out Measurements: Ø 95mm/3 3/4"

#### ELECTRICAL

Lamp Type: LED (Zhaga Standard)  
 Input Wattage (W): 21.9  
 Total Output Wattage (W): 20  
 Dimming: Non-dimming / DALI Dimming / MATTER Dimming  
 Driver Included: No  
 Driver Location: Remote  
 Driver Type: Constant Current - Universal  
 Driver Class: Class 2  
 Constant Current (mA): 500mA  
 Upon Request: 0-10V Dimming / Phase Dimming

#### LED

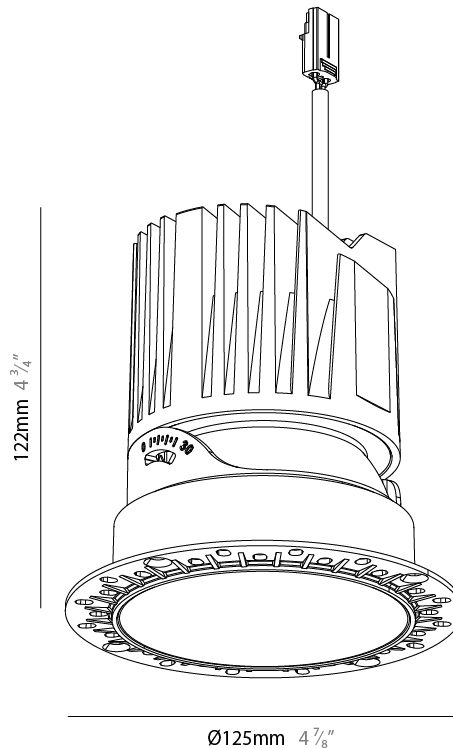
Color Temperature (°K): 2400 / 2700 / 3000 / 3500 / 4000  
 Max. Delivered Lumen (lm): Max 2583  
 Nominal Lumen (lm): 3490  
 CRI: >90 CRI  
 Efficiency (%): 117.9  
 Lamp Life (hrs): 50000

#### OPTICAL

Beam Angle: 26 / 34 / 46 / 56  
 Adjustability: Rotational 350° / Tilt 30°

#### RATINGS AND CERTIFICATIONS

Certified By: Certified for North American Standards  
 IP rating: IP65  
 Glare Rating: ≤ 10



A350212-

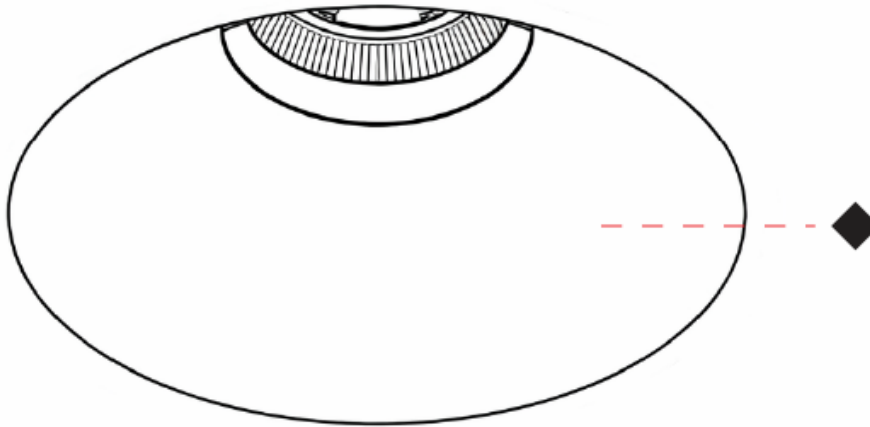
PROJECT

TYPE

SPECIFIER

QUANTITY

DATE



A

## BIONIQ EVO TRIMLESS

### A350213-

base number    Color    Finish    Lens    Beam Angle  
 Temperature    Options    Options    Options

- To build a product code in our configurator select the specify button on the base model # product page
- To build a manual product code on this datasheet choose from the options listed below in blue font and add the suffix to the base model #

#### GENERAL

Series: Bioniq Evo  
 Partner: Prolicht  
 Division: Architectural  
 Installation: Trimless  
 Product Type: Downlight  
 Mounting Location: Ceiling  
 Light Distribution: Adjustable / Direct

#### PHYSICAL

Aperture Sizes - Downlights: 4"  
 Shape: Round  
 Diameter (mm): 125  
 Diameter (in): 4 7/8  
 Height (mm): 122  
 Depth (mm): 135  
 Height (in): 4 3/4  
 Depth (in): 5 1/16  
 Ceiling Thickness (mm): 10 - 50  
 Ceiling Thickness (in): 3/8 - 1 15/16  
 Weight (kg): 0.7  
 Fixture Finish: [BLK](#) / [WHI](#) / [ARB](#) / [CHR](#)  
 Fixture Material: Extruded Aluminum  
 Cut-out Measurements: Ø 95mm/3 3/4"

#### ELECTRICAL

Lamp Type: LED (Zhaga Standard)  
 Input Wattage (W): 21.9  
 Total Output Wattage (W): 20  
 Dimming: [Non-dimming](#) / [DALI Dimming](#) / [MATTER Dimming](#)  
 Driver Included: No  
 Driver Location: Remote  
 Driver Type: Constant Current - Universal  
 Driver Class: Class 2  
 Constant Current (MA): 500mA  
 Upon Request: [0-10V Dimming](#) / [Phase Dimming](#)

#### LED

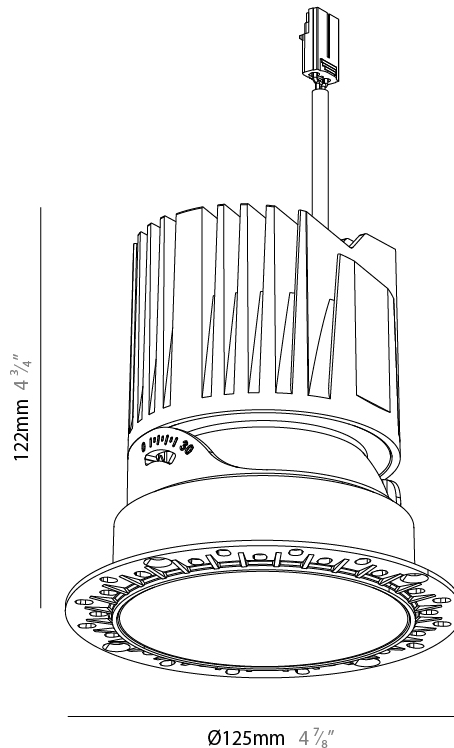
Color Temperature (\*K): [2400](#) / [2700](#) / [3000](#) / [3500](#) / [4000](#)  
 Max. Delivered Lumen (lm): Max 2583  
 Nominal Lumen (lm): 3490  
 CRI: >90 CRI  
 Efficiency (%): 117.9  
 Lamp Life (hrs): 50000

#### OPTICAL

Beam Angle: [26](#) / [34](#) / [46](#) / [56](#)  
 Adjustability: [Rotational 350°](#) / [Tilt 30°](#)

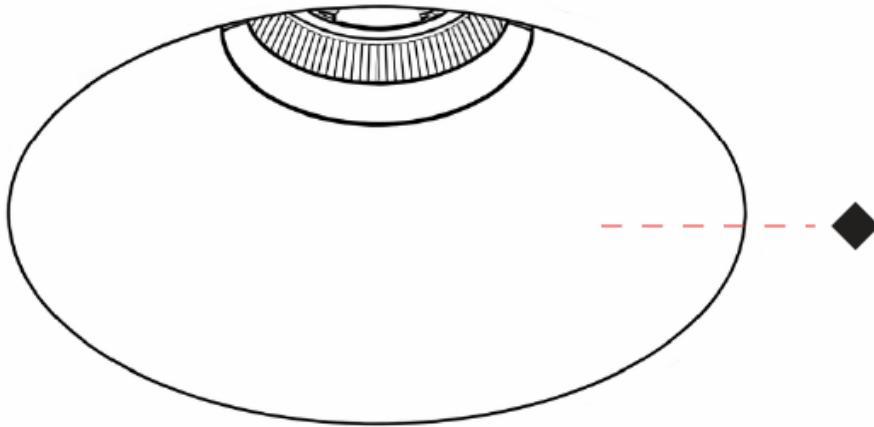
#### RATINGS AND CERTIFICATIONS

Certified By: Certified for North American Standards  
 IP rating: IP65  
 Glare Rating: ≤ 10



A350213-

|           |       |
|-----------|-------|
| PROJECT   | _____ |
| TYPE      | _____ |
| SPECIFIER | _____ |
| QUANTITY  | _____ |
| DATE      | _____ |



## BIONIQ EVO TRIMLESS

### A350214-

base number      Finishes (Diamond)      Lens Options      Beam Angle Options

PROJECT \_\_\_\_\_  
 TYPE \_\_\_\_\_  
 SPECIFIER \_\_\_\_\_  
 QUANTITY \_\_\_\_\_  
 DATE \_\_\_\_\_

- To build a product code in our configurator select the specify button on the base model # product page
- To build a manual product code on this datasheet choose from the options listed below in blue font and add the suffix to the base model #

#### GENERAL

Series: Bioniq Evo  
 Partner: Prolicht  
 Division: Architectural  
 Installation: Trimless  
 Product Type: Downlight  
 Mounting Location: Ceiling  
 Light Distribution: Adjustable / Direct

#### PHYSICAL

Aperture Sizes - Downlights: 4"  
 Shape: Round  
 Diameter (mm): 120  
 Diameter (in): 4 3/4  
 Height (mm): 122  
 Depth (mm): 135  
 Height (in): 4 3/4  
 Depth (in): 5 5/16  
 Ceiling Thickness (mm): 10 - 50  
 Ceiling Thickness (in): 3/8 - 1 15/16  
 Weight (kg): 0.7  
 Fixture Finish: [SSR / BKV / CWI / CRY / HAB / UFT / ITA / RUA / FTG / MYG / LOD / PUS / FRO / FUP / KIA / POP / BLS / SPG / MEY / GOH / CHC / COM / ABZ / JAG / OBR / MOS / ROR](#)  
 Fixture Material: Extruded Aluminum  
 Cut-out Measurements: Ø 95mm/3 3/4"

#### ELECTRICAL

Lamp Type: LED (Zhaga Standard)  
 Input Wattage (W): 19.9  
 Total Output Wattage (W): 18.2  
 Dimming: Non-dimming / DALI Dimming / MATTER Dimming  
 Driver Included: No  
 Driver Location: Remote  
 Driver Type: Constant Current - Universal  
 Driver Class: Class 2  
 Constant Current (mA): 500mA  
 Upon Request: 0-10V Dimming / Phase Dimming

#### LED

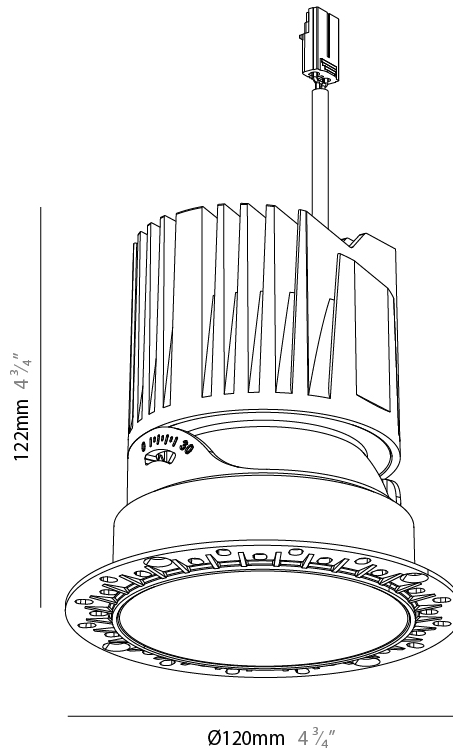
Color Temperature (°K): 2700-6500 Tunable White  
 Max. Delivered Lumen (lm): Max 1765  
 Nominal Lumen (lm): Max 2385  
 CRI: >90 CRI  
 Efficiency (%): 88.5  
 Lamp Life (hrs): 50000

#### OPTICAL

Beam Angle: [26 / 34 / 46 / 56](#)  
 Adjustability: Rotational 350° / Tilt 30°

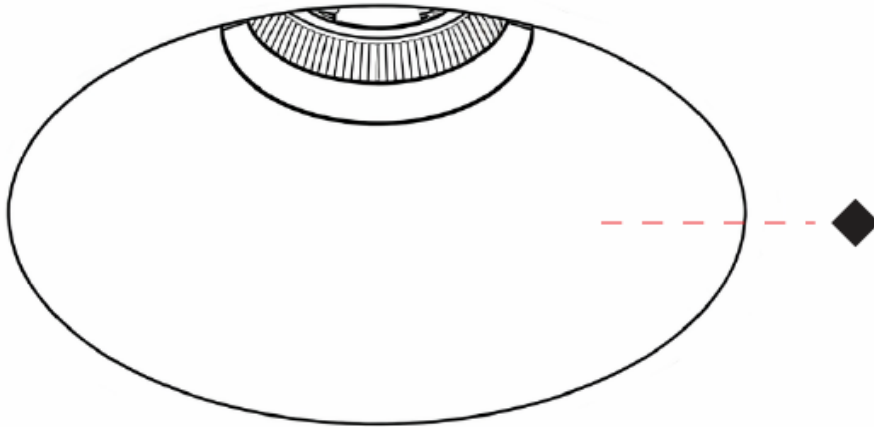
#### RATINGS AND CERTIFICATIONS

Certified By: Certified for North American Standards  
 IP rating: IP65  
 Glare Rating: ≤ 10



A350214-

|           |       |
|-----------|-------|
| PROJECT   | _____ |
| TYPE      | _____ |
| SPECIFIER | _____ |
| QUANTITY  | _____ |
| DATE      | _____ |



## BIONIQ EVO TRIMLESS

### A350215-

base number      Finish Options      Lens Options      Beam Angle Options

- To build a product code in our configurator select the specify button on the base model # product page
- To build a manual product code on this datasheet choose from the options listed below in blue font and add the suffix to the base model #

#### GENERAL

Series: Bioniq Evo  
 Partner: Prolicht  
 Division: Architectural  
 Installation: Trimless  
 Product Type: Downlight  
 Mounting Location: Ceiling  
 Light Distribution: Adjustable / Direct

#### PHYSICAL

Aperture Sizes - Downlights: 4"  
 Shape: Round  
 Diameter (mm): 120  
 Diameter (in): 4 3/4  
 Height (mm): 122  
 Depth (mm): 135  
 Height (in): 4 3/4  
 Depth (in): 5 5/16  
 Ceiling Thickness (mm): 10 - 50  
 Ceiling Thickness (in): 3/8 - 1 15/16  
 Weight (kg): 0.7  
 Fixture Finish: [BLK](#) / [WHI](#) / [ARB](#) / [CHR](#)  
 Fixture Material: Extruded Aluminum  
 Cut-out Measurements: Ø 95mm/3 3/4"

#### ELECTRICAL

Lamp Type: LED (Zhaga Standard)  
 Input Wattage (W): 19.9  
 Total Output Wattage (W): 18.2  
 Dimming: Non-dimming / DALI Dimming / MATTER Dimming  
 Driver Included: No  
 Driver Location: Remote  
 Driver Type: Constant Current - Universal  
 Driver Class: Class 2  
 Constant Current (MA): 500mA  
 Upon Request: 0-10V Dimming / Phase Dimming

#### LED

Color Temperature (°K): 2700-6500 Tunable White  
 Max. Delivered Lumen (lm): Max 1765  
 Nominal Lumen (lm): Max 2385  
 CRI: >90 CRI  
 Efficiency (%): 88.5  
 Lamp Life (hrs): 50000

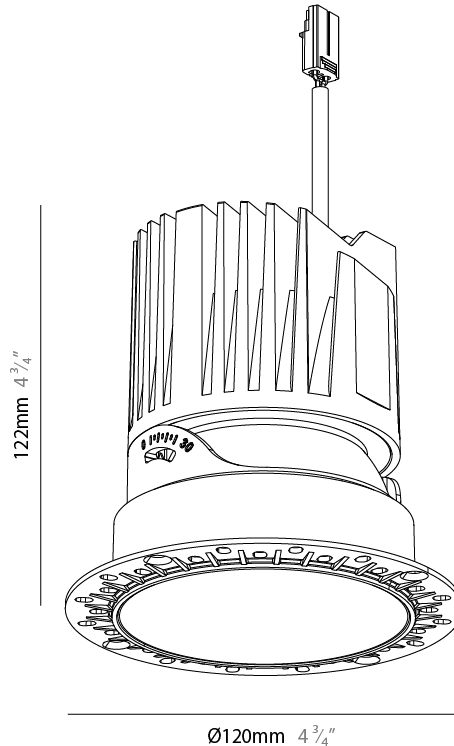
#### OPTICAL

Beam Angle: [26](#) / [34](#) / [46](#) / [56](#)  
 Adjustability: Rotational 350° / Tilt 30°

#### RATINGS AND CERTIFICATIONS

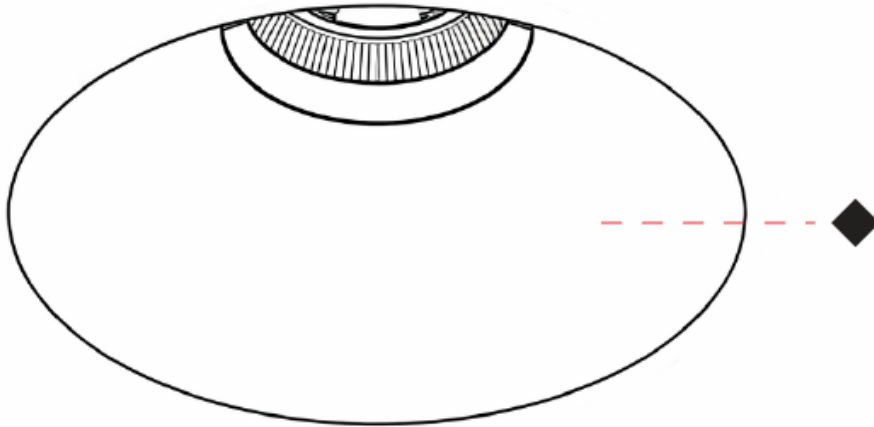
Certified By: Certified for North American Standards  
 IP rating: IP65  
 Glare Rating: ≤ 10

PROJECT \_\_\_\_\_  
 TYPE \_\_\_\_\_  
 SPECIFIER \_\_\_\_\_  
 QUANTITY \_\_\_\_\_  
 DATE \_\_\_\_\_



A350215-

|           |       |
|-----------|-------|
| PROJECT   | _____ |
| TYPE      | _____ |
| SPECIFIER | _____ |
| QUANTITY  | _____ |
| DATE      | _____ |

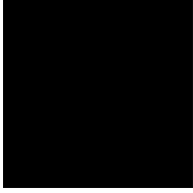


## BIONIQ EVO COLOR FINISH CHART

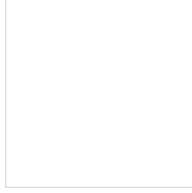
PROJECT \_\_\_\_\_  
 TYPE \_\_\_\_\_  
 SPECIFIER \_\_\_\_\_  
 QUANTITY \_\_\_\_\_  
 DATE \_\_\_\_\_

### Fixture Finish

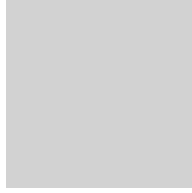
Black - BLK (BLK)



White - WHI (WHI)



Chrome - (CHR)



Sparkling Silver - 01 (SSR)



Black Velvet - 02 (BKV)



Crystal White - 03 (CWI)



Creamy - 04 (CRY)



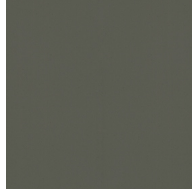
Hampton Bay - 05 (HAB)



Urban Forest - 07 (UFT)



In the Army - 08 (ITA)



Rusty Angel - 09 (RUA)



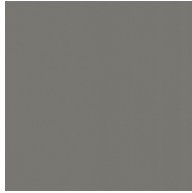
Fade to Gray - 12 (FTG)



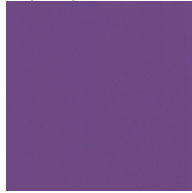
Mysterious Gray - 13 (MYG)



Lost Dream - 15 (LOD)



Purple Sky - 16 (PUS)



Fresh Oh - 17 (FRO)



Funky P. - 18 (FUP)



Kissing Aphrodite - 19 (KIA)



Poseidon's Paradise - 20 (POP)



Blue Sky - 21 (BLS)



Spring Green - 22 (SPG)



Mellow Yellow - 23 (MEY)



Golden Heart - 24 (GOH)



Champagne Cream - 26 (CHC)



Copper Mine - 27 (COM)



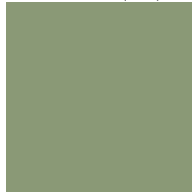
Ancient Bronze - 28 (ABZ)



Jazz Gold - 29 (JAG)



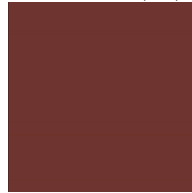
Olive Breeze - 30 (OBR)



Moonlight Silver - 31 (MOS)

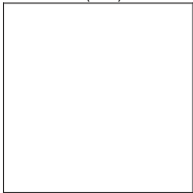


Rosewood Red - 32 (ROR)



### Holder Finish

White - WHI (WHI)



Black - BLK (BLK)



### LEGEND

|  |   |  |  |  |  |
|--|---|--|--|--|--|
|  | floor-mounted   |  | pivotable  |  | special LED (upon request) RGB, RGBW, tunable, gold+, meat+, art+, fashion+                    |
|  | wall and ceiling: recessed and surface mounted            |  | rotating   |  | warm dim / natural dimming LED   |
|  | ceiling-mounted and wall-mounted                          |  | illuminate tilted  |  | rechargeable battery powered   |
|  | wall-mounted  |  | color of suspension cable                                    |  | fixture with natural vivid LED (upon request)  |
|  | omni-directional light distribution                       |  | length of suspension cable                                   |  | color rendering index  |
|  | direct light distribution                                 |  | reflector degree selection                                   |  | color temperature  |
|  | direct/indirect light distribution                        |  | super spot   |  | lumen (luminous flux)  |
|  | indirect light distribution                               |  | lens   |  | efficacy (lumens per watt)   |
|  | asymmetric light distribution                             |  | lens pack  |  | Unified Glare Rating (UGR) range from 5-40   |
|  | aura light distribution                                   |  | shine ring   |  | marine grade (AISI 316 stainless steel)  |
|  | round wall or ceiling cut-out                             |  | integrated shine ring with diffuser                          |  | walk on  |
|  | square wall or ceiling cut-out                            |  | free individual colors 01-29                                 |  | drive on   |
|  | the supplied jig specifies the cutout dimensions          |  | individual colors: 00 (free of charge), 01-25 (extra charge) |  | Dark Sky Compliance  |
|  | minimum distance (meters) lamp - object                   |  | luminaire part to be colored (F1)                            |  | Americans with Disabilities Act (less than 4" off the wall located between 27"-84" from floor) |
|  | recessed depth  |  | luminaire part to be colored (F2)                            |  | lamp protected against explosion   |
|  | ceiling thickness in mm                                   |  | luminaire part to be colored (F3)                            |  | blown glass using traditional methods by master glass blower                                   |
|  | ceiling thickness selection                               |  | luminaire part to be colored (F4)                            |  | acoustic material  |
|  | dimmable DP (phase), DV (0-10V), DD (dali), DS (step-dim) |  | luminaire part to be colored (F5)                            |  | protection class I, protection insulation  |
|  | included or excluded LED driver/transformer/control gear  |  | color of 3-circuit adaptor                                   |  | protection class II, protection insulation   |
|  | separately switchable                                     |  | indirect diffuser  |  | ETL Certified to UL and CSA Standards  |
|  | sensor  |  | direct diffuser  |  | UL Certified to UL and CSA Standards   |
|  | remote control  |  | ball-proof (upon request)                                    |  | CSA Certified to UL and CSA Standards  |
|  | available upon request                                    |  | accessory  |  | Certified for North American Standards   |

### IP RATING

|  |  |
|--|--|
|  | protected against ingress of solid bodies greater than 12.5mm (finger)   |
|  | protected against ingress of solid bodies greater than 2.5mm<br>protected against sprays of water up to 60 degrees from the vertical (rain)      |
|  | protected against ingress of solid bodies greater than 1mm (wire)<br>no protection against the ingress of moisture                               |
|  | protected against ingress of solid bodies greater than 1mm (wire)<br>protected against sprays of water up to 60 degrees from the vertical (rain) |
|  | protected against ingress of solid bodies greater than 1mm (wire)<br>protected against water splashed from all directions                        |
|  | protected against limited ingress of dust (wet rooms/covered outdoor areas)<br>protected against water splashed from all directions              |
|  | protected against ingress of dust<br>protected against jets of water   |
|  | protected against ingress of dust<br>protected against powerful jets of water or heavy seas  |
|  | protected against ingress of dust<br>protected against immersion of water between 15cm - 1m for 30 minutes                                       |
|  | protected against ingress of dust<br>protected against immersion of water under pressure for long periods  |

### IK RATING

|  |   |
|--|---|
|  | protected against 0.14 joules impact (equivalent to 0.25kg mass dropped from 56mm above the surface)  |
|  | protected against 0.2 joules impact (equivalent to 0.25kg mass dropped from 80mm above the surface)   |
|  | protected against 0.35 joules impact (equivalent to 0.25kg mass dropped from 140mm above the surface) |
|  | protected against 0.5 joules impact (equivalent to 0.25kg mass dropped from 200mm above the surface)  |
|  | protected against 0.7 joules impact (equivalent to 0.25kg mass dropped from 280mm above the surface)  |
|  | protected against 1 joules impact (equivalent to 0.25kg mass dropped from 400mm above the surface)    |
|  | protected against 2 joules impact (equivalent to 0.5kg mass dropped from 400mm above the surface)     |
|  | protected against 5 joules impact (equivalent to 1.7kg mass dropped from 300mm above the surface)     |
|  | protected against 10 joules impact (equivalent to 5.0kg mass dropped from 200mm above the surface)    |
|  | protected against 20 joules impact (equivalent to 5.0kg mass dropped from 400mm above the surface)    |